



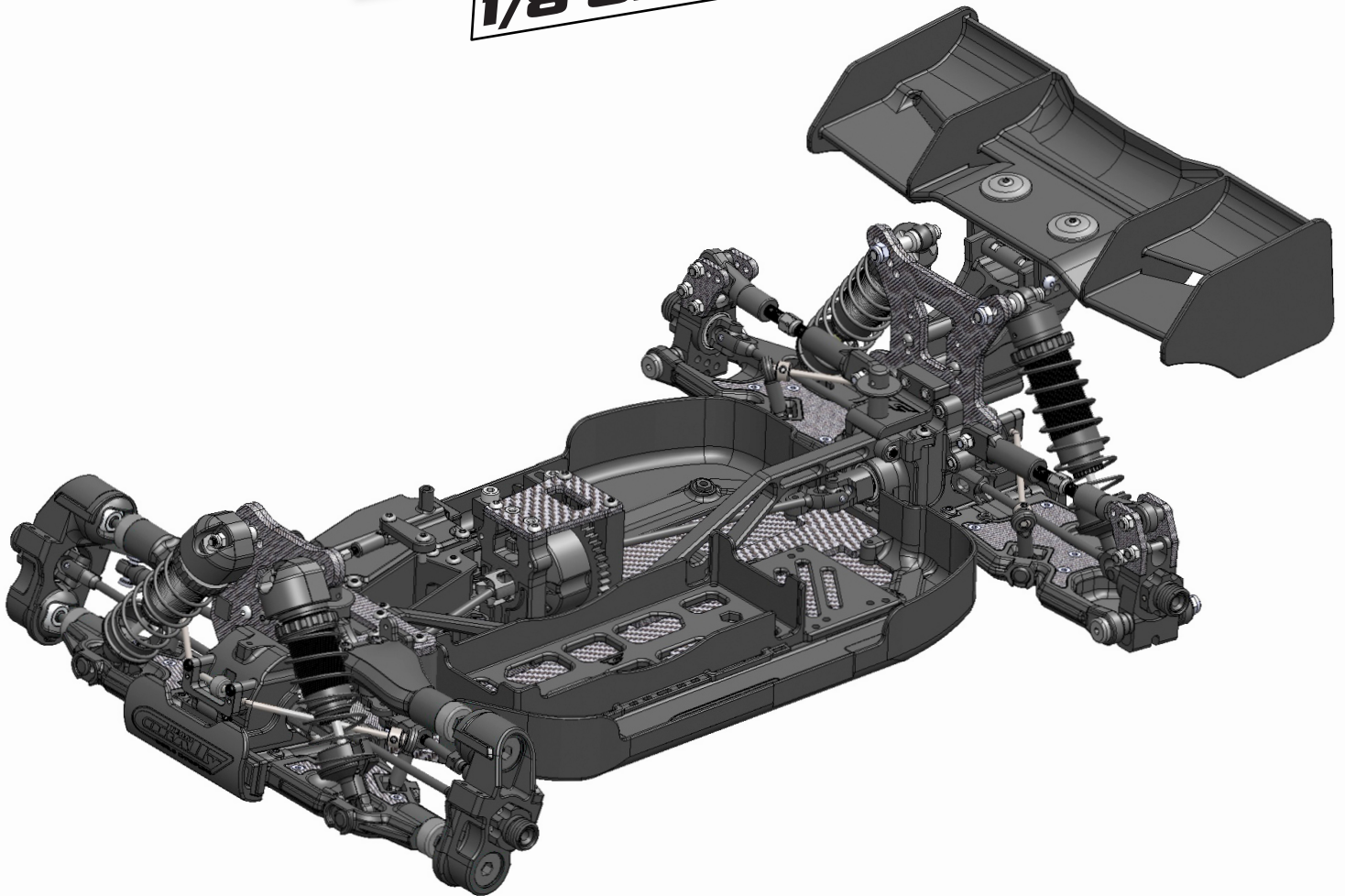
LANGUAGES



Engineered to be the fastest

SBX825

1/8 OFF-ROAD BUGGY PRO



INSTRUCTION MANUAL



- Download the latest version of the manual from www.corally.com
- Téléchargez la dernière version du manuel à partir de www.corally.com
- Download the latest version of the manual from www.corally.com
- Download de nieuwste versie van de handleiding van www.corally.com

WWW.CORALLY.COM

CAUTION GUIDE • INTRODUCTION



Thank you for purchasing a Team Corally car. This manual describes the assembly instructions for the model. You will also find some tips on how to maintain your RC model so that you can enjoy it for years to come. You have purchased one of the most efficient models available on the market that has been designed by a team of professionals. You will also benefit from the best after-sales support. All Team Corally models guarantee a high quality of manufacture and performance that guarantees you a high satisfaction of use and services provided by the Team Corally. Always take the time to read the instructions carefully in order to follow all the procedures to use your RC model safely for you and for other people. This will allow you to take full advantage of all the performance of your RC model.

Please also check the website www.corally.com/Downloads/ to check if you have the latest version of this instruction manual. (Version: see cover of this manual)

If you have any questions about the model and its components, you can send a message to support@corally.com

We also recommend that you get help from an experienced model maker or your dealer.

You will find all the references of the spare parts on the website www.corally.com

TERM OF USE

The user is responsible for the use of your model. The user assumes all risks associated with the use of the model. This model is not intended for use by children under 14 years of age without the supervision of a responsible adult who is familiar with the dangers of using a RC model. Team Corally / JSP Group Intl bvba, its manufacturers, distributors and resellers cannot control the use and load of the model and therefore cannot be held responsible for any damage to property and damage caused to persons resulting from the use of this product. You must accept these conditions and consider yourself fully responsible for the use of this product. If not, do not use this product.

Due to the continuous development of our products, the exact specifications of the kit may vary. If you have a problem with your new kit, please contact the store where you purchased it, indicating the part number(s).

Team Corally / JSP Group Intl bvba reserves the right to change any specification without notice. All rights reserved.

CAUTION GUIDE • READ FIRST

This manual is designed for use with your vehicle and contains the instructions you will need to assemble and maintain your vehicle.

- We know you're looking forward to driving your car, but it's very important that you take the time to read this manual carefully, even if you're an experienced R/C driver.
- Read and follow all the instructions in this manual carefully. Failure to follow the instructions will be considered as abuse and/or negligence and may invalidate the warranty.
- Your vehicle is designed to operate on uneven terrain. However, dust, sand, water and carpet fibres can get into your car's workspaces and can damage your vehicle if they are not removed quickly. We do not guarantee any warranty on your vehicle against damage caused by external elements such as sand, dirt or water. Users are responsible for the maintenance and safe operation of this vehicle.
- This product is not a toy. It is not suitable for users under 14 years of age, unless they are supervised by adults.
- Only upgrade your car with Corally spare parts/options designed for your model.
- Always disconnect the vehicle battery from the controller when not in use..
- Drive your car in a spacious area. Never drive your car in the street or in traffic. Public places are subject to specific legislation by country, city, municipality, please comply with the legislation for the use of RC models in your area.

CAUTION GUIDE • SAFETY PRECAUTIONS

For your safety, always use wear gloves and goggles when assembling and maintaining your model.

Always take all necessary precautions when handling products (silicone oil, grease, thread lock, cyanolyte glue, fuel) for the operation of the model. (Refer to the manufacturer's instructions)

Take all appropriate safety precautions before assembling and using this model. You are responsible for the safe assembly and use of this model! Please read the instruction manual before assembling and using this model and follow all safety precautions.

For your safety, to keep the warranty and obtain the best performance, always use original CORALLY genuine parts.

Contains: LEAD (CAS 7439-92-1) ANTIMONY (CAS 7440-36-0)

WARNING: This product contains a chemical known to the state of California to cause cancer and birth defects or other reproductive harm.

CAUTION: CANCER HAZARD

Contains lead, a listed carcinogen. Lead is harmful if ingested. Wash thoroughly after using.

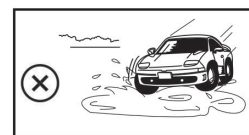
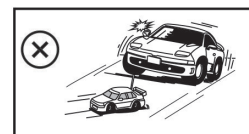
DO NOT use product while eating, drinking or smoking.

CAUTION GUIDE • USE PRECAUTIONS



Failure to operate your model in a safe and responsible manner may result in injury to yourself, others or damage to property around you.

- Do not use your model on public roads or in areas where you may encounter pedestrians or riders.
- Do not operate in a congested area or in crowds.
- Do not operate in areas where loud noises can disturb others, such as hospitals and residential areas.
- Do not operate your model with obstructed line of sight, at night or near water.
- Your model is radio controlled, it is subject to possible radio interference. Radio interference can cause loss of control of your model. Be careful.
- Take care not to injure yourself while using tools to adjust or upgrade your model.
- Since the model contains small parts, keep out of reach of children while assembling and/or disassembling your model.
- If your model becomes stuck against an object, release the throttle and retrieve it by hand
- Do not continue to apply the throttle when your model is stuck. This may damage the motor and/or ESC/Receiver unit.
- Turn OFF your model and don't use it if it runs erratically. Please do not use your model again until the problem has been solved.
- Keep the wheels of the model off the ground when checking the operation of the radio equipment.
- When learning to operate your model, go to an area that has no obstacles that can damage your model.
- Before and after each use, check all the screws on the model.
- To maintain the best performance, check that all moving parts move freely.



Take all necessary precautions before, during and after using your model. You are responsible for the safe assembly, maintenance and use of your model.

In case of any questions, contact your local reseller or contact Team Corally support for assistance.

CAUTION GUIDE • LIPO BATTERY SAFETY PRECAUTIONS

- Follow and respect the manufacturer's instructions for use
- It is important to check that your ESC is set to LIPO if you are using a LIPO battery. Failure to comply with this instruction will result in increased battery discharge and may cause fire and damage to persons and property.
- When charging or storing LiPo batteries always use LiPo Safety Bag (Flame retardant).
- Always respect the maximum rate and voltage specified by the battery manufacturer.
- Charge the LIPO battery outdoors or in a ventilated area away from flammable objects and surfaces.
- NEVER leave your LiPo battery unattended while charging.
- If the battery swells during charging, stop charging immediately and disconnect the battery from the charger. Leave the battery outside for a few hours and observe. Then recycle the battery according to the instructions of your country/region. Never dispose of a LIPO battery with domestic waste.
- Before recycling your defective battery, it must be neutralized. Take a plastic container, fill it with water and add a lot of salt until the water becomes opaque. Place the LIPO battery in the water and leave for 24 hours. Check with a voltmeter that the voltage is 0.0V. Then recycle the battery according to local regulations.
- Never charge a damaged or inflated battery.
- Never discharge the battery cells below 3.2V.
- Always use the appropriate balancer/charger when charging your LiPo battery pack.
- When the battery is empty, check the temperature of the battery before charging it. If the battery is very hot, wait until it cools before charging it.
- Never charge a very hot battery as this may cause an explosion or fire.
- When the battery is empty, recharge it immediately. Do not store an empty battery, the battery will continue to discharge, it will fall below the minimum voltage and become unusable.



- Téléchargez les consignes de sécurité et conditions de garantie en Français ici.
- Laden Sie hier die Sicherheitshinweise und Garantiebedingungen in Deutsch herunter.
- Download hier de veiligheidsinstructies en garantievoorwaarden.



WARRANTY



If material defects or manufacturing faults should arise in a product distributed or manufactured by Team Corally / JSP Group Intl bvba, and purchased by a consumer, we Team Corally / JSP Group Intl bvba acknowledge the obligation to correct those faults or defects within the limitations described below. This manufacturer's warranty is in addition to, and does not affect, the legal or contractual rights of the consumer which arise from the purchase of such products. Team Corally / JSP Group Intl bvba guarantees the consumer that its products are free from material, manufacturing, and construction faults, as determined by the general state of knowledge and technology valid at the time of manufacturing. The fault responsible for causing the damage must be proven to have been present in the product at this time. Claims for compensation arising from consequential damage or product liability will not be considered valid unless they fall under peremptory provisions of the law. If material defects or manufacturing faults should arise in a product distributed or manufactured by Team Corally / JSP Group Intl bvba in the European community (EC) and purchased by a consumer, then Team Corally / JSP Group Intl bvba undertakes to correct those defects within the limitations described below. This manufacturer's declaration does not affect the consumer's legal or contractual rights regarding defects arising from the purchase contract between the consumer and the dealer or reseller. Extend of the Warranty

If a claim is made under warranty, we take at our discretion to repair or replace the defective goods. We will not consider supplementary claims, especially for reimbursement of costs relating to the defect (e.g. installation / removal costs) and compensation for consequent damages unless they are allowed by statute. This does not affect claims on legal regulations, especially according to the product liability law.

Provisions of the Warranty

The purchaser is required to make the warranty claim in writing, and must enclose original proof of purchase (e.g. invoice, receipt, delivery note) and the appropriate warranty card. He must send the defective goods to our local representatives or directly to Team Corally / JSP Group Intl bvba, Geelseweg 80, 2250 Olen, Belgium at his own risk and cost.

The purchaser should state the material defect or manufacturing fault, or symptoms of the fault, as accurate as possible, so that we can check if our warranty obligation is applicable. The goods are transported from the consumer to us, and from us to the consumer, entirely at the risk and cost of the consumer.

Invalidation of the Warranty

The consumer cannot make a claim under warranty when the fault is affecting the use of the product arising from natural wear, competition use, or improper use (including installation) or external forces. The consumer's adherence to the building and operating instructions relevant to the model, including the installation, operation, use of, and maintenance of, model-related components cannot be supervised by Team Corally / JSP Group Intl bvba. Therefore Team Corally / JSP Group Intl bvba is in no way liable for loss, damage, or costs resulting from improper use, or behaviour in any way connected to the above described provisions. Unless otherwise required by law, Team Corally / JSP Group Intl bvba is in no way whatever liable to provide compensation for damages arising from the improper use of the model (including personal injury, death, damage to buildings, loss of turnover, loss of business, or interruption of business, or any other direct, or indirectly caused, consequential damage).

Duration of Validity

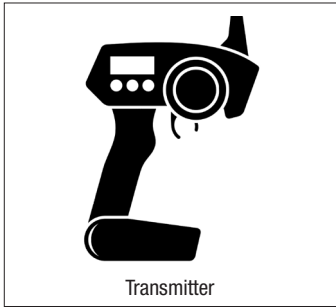
The claim period is 24 months from the date of purchase of the product by the consumer from a dealer in the European Community (EC) counted from the date of purchase. The claim period is 12 months from the date of purchase of the product by the consumer from a dealer outside the European Community (EC) counted from the date of purchase. If a defect arises after the end of the claim period, or if evidence or documents required according to this declaration in order to make the claim valid are not presented until after this period, then the consumer forfeits any rights or claims from this declaration. The guarantee period is not prolonged by the granting of any claims within the framework of this warranty, especially in the case of repair or replacement. The guarantee period also does not restart in such cases.

Warranty Expiration

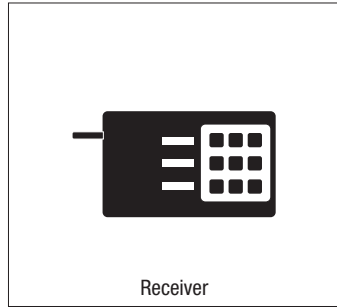
If we do not acknowledge the validity of a claim based on this declaration within the claim period, all claims based on this declaration will expire after six months from the time of registering the claim; however this cannot occur prior to the end of the claim period.

For any support, contact us at support.corally.com

EQUIPMENT & TOOLS REQUIRED



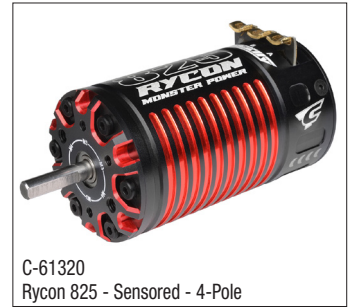
Transmitter



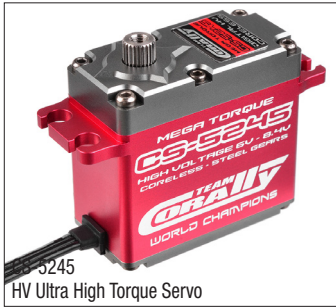
Receiver



C-53020
CMM-8 Racing Controller



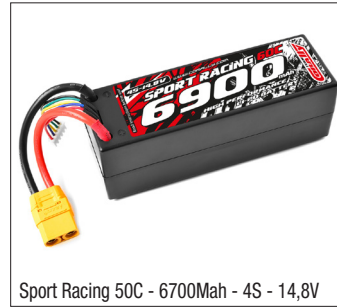
C-61320
Rycon 825 - Sensored - 4-Pole



C-5245
HV Ultra High Torque Servo



Pinions - MOD 1.0 - 5.0mm - Steel



Sport Racing 50C - 6700Mah - 4S - 14,8V



C-51025
Ultra-X 80 - AC/DC Balance Charger - 80W



C-13100
Double-sided Mounting Tape



Wheels



Diff Syrup - Ultra Pure Silicone



Shock Oil - Ultra Pure Silicone



C-82700
Lithium Grease 40gr - Ideal for metal to metal application - Extreme friction reducer - Water repellent



C-82701
Copper Grease 40gr - Ideal for CVD / CVA joints - Anti-seize compound - Anti-corrosion



C-82702
Blue Grease 40gr - Ideal for o-rings, seals, bearings, suspension friction reducer



C-82703
Ball diff grease 40gr - Ideal for ball diffs



C-13094
Lock-it 100 - Screw Fix - Soft - Blue



C-16300
Shock Pliers



C-16185
Pro Hex Tool Set - Ti-Ni Coated - 1.5 / 2.0 / 2.5 / 3.0 mm



C-16190
Pro Nut Driver Set - Ti-Ni Coated - 4.0 / 5.5 / 7.0 / 8.0 mm



C-16195
Torq Master - Cordless Screwdriver with Digital Torque Control - Li-Ion 3.6V



C-48520.EU
Soldering station 80W

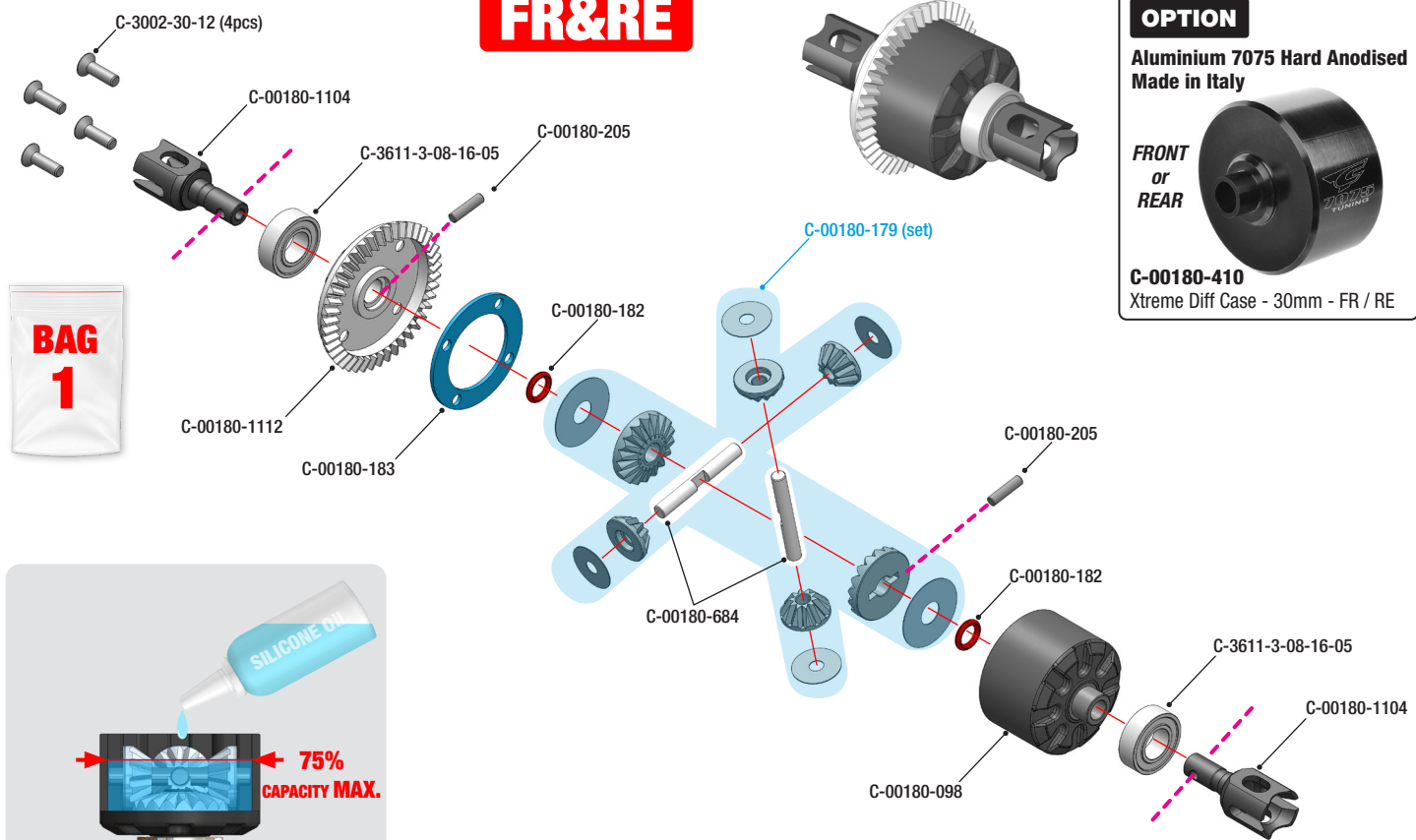


Needle Nose Plier



Cutter Knife

FR&RE



OPTION
 Aluminium 7075 Hard Anodised
 Made in Italy

**FRONT
or
REAR**

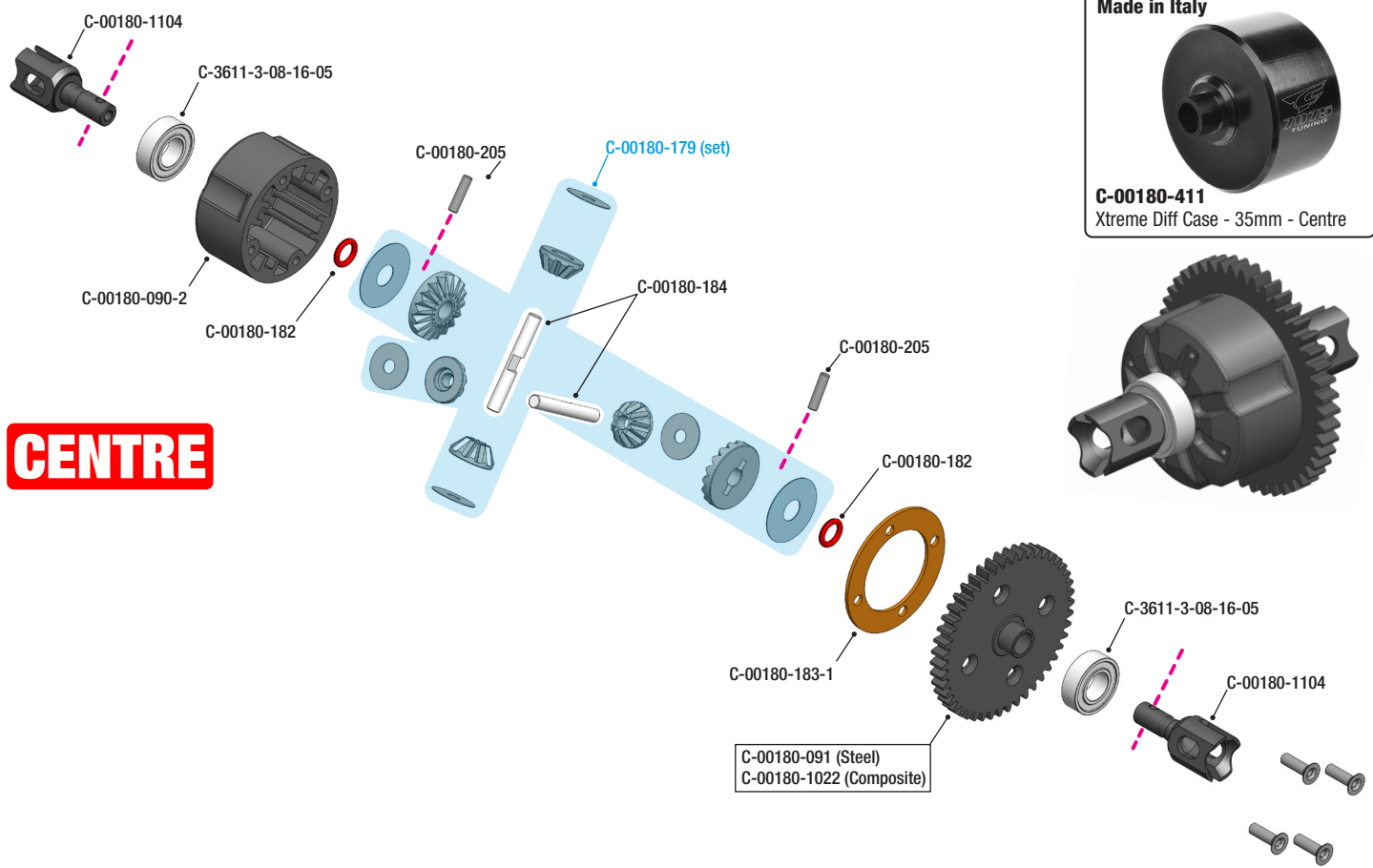
C-00180-410
 Xtreme Diff Case - 30mm - FR / RE

FRONT **CENTRE** **REAR**
 10.000 CPS 7500 CPS 5000 CPS

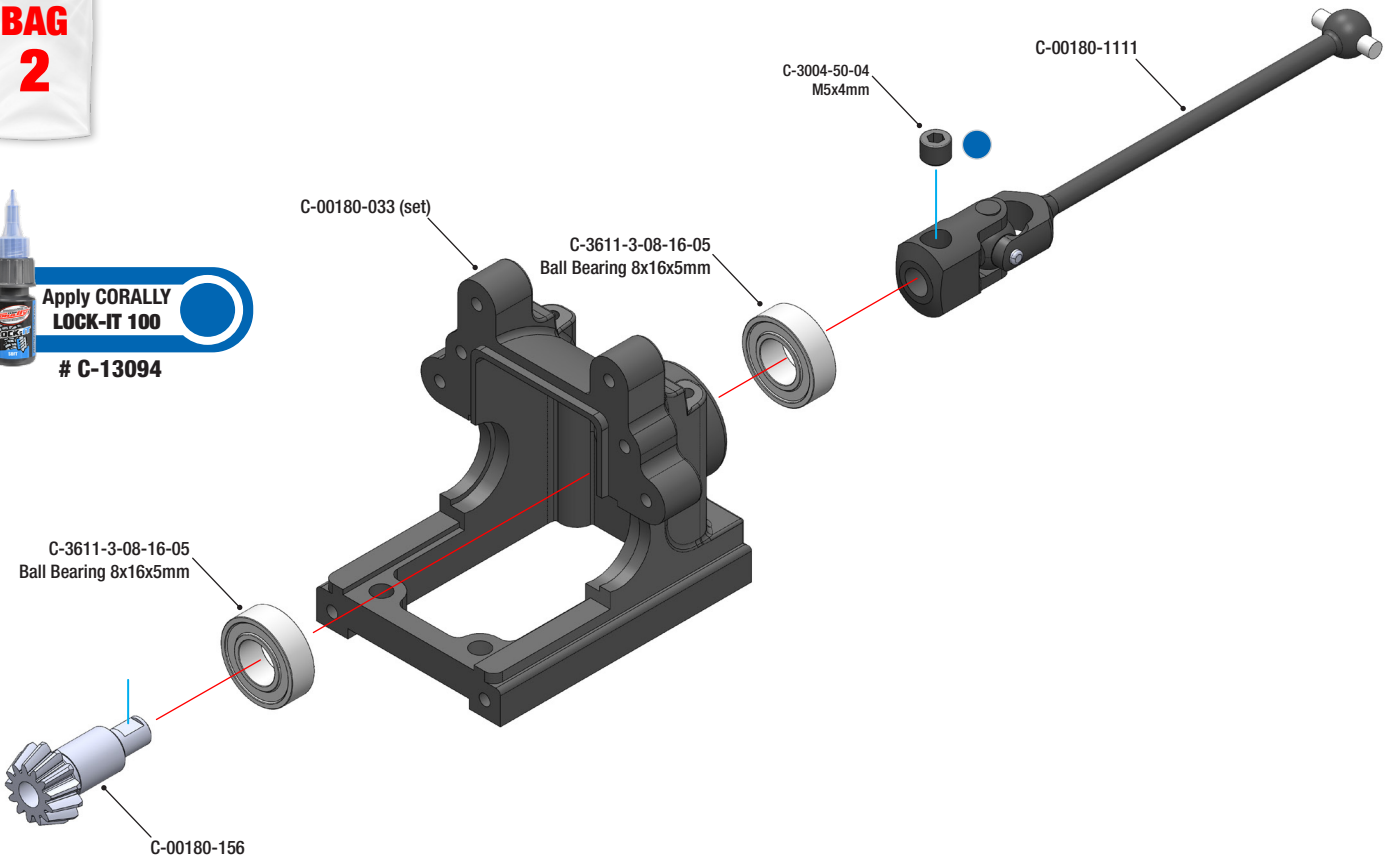
- Silicone oil values are given for information only.
 - Les valeurs d'huile silicone sont données à titre indicatif.
 - Die Werte für Silikonöl sind Richtwerte.
 - De waarden voor siliconenolie worden alleen ter informatie gegeven.

OPTION
 Aluminium 7075 Hard Anodised
 Made in Italy

C-00180-411
 Xtreme Diff Case - 35mm - Centre



CENTRE

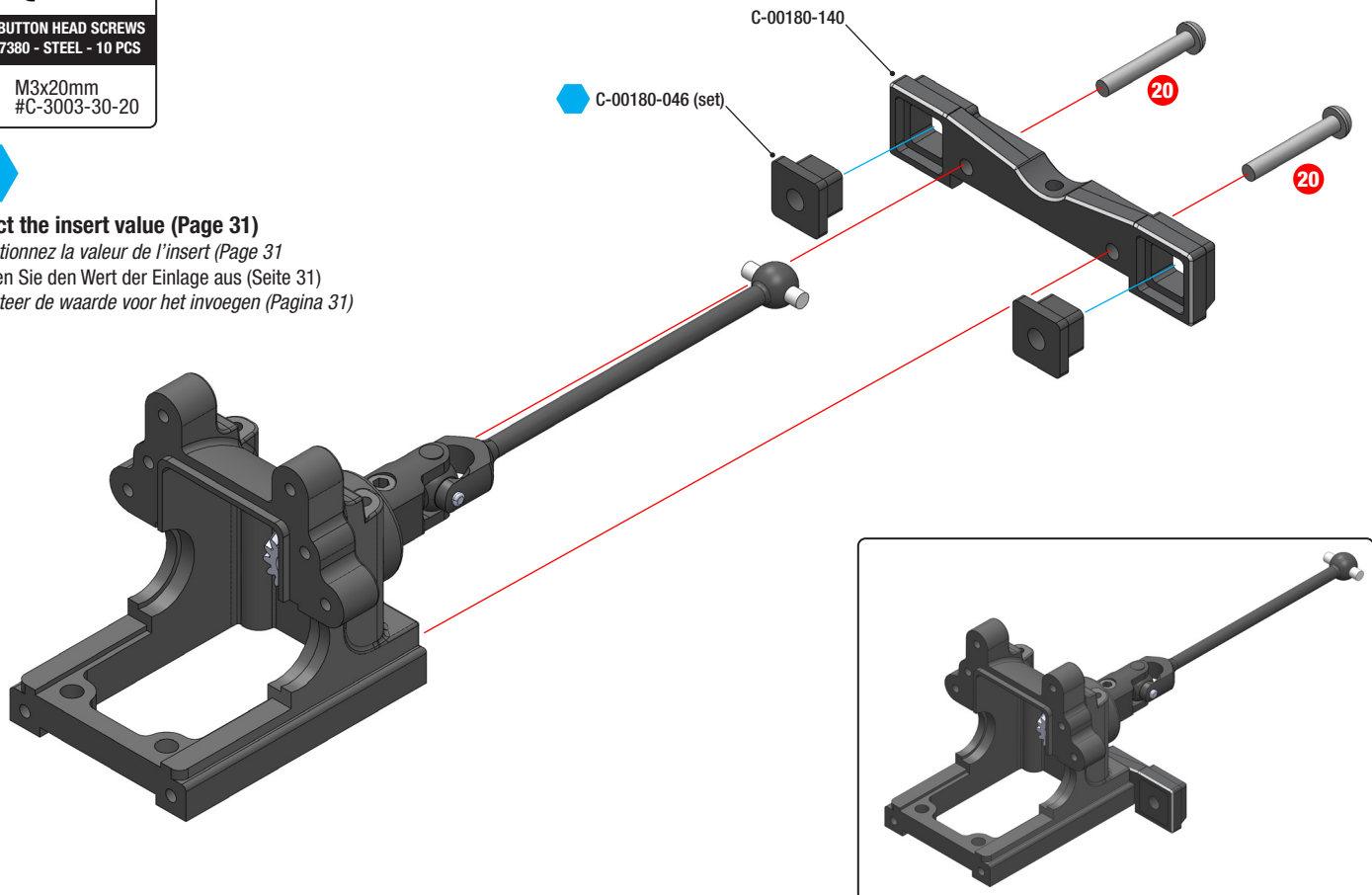


HEX BUTTON HEAD SCREWS
DIN 7380 - STEEL - 10 PCS

20 M3x20mm
#C-3003-30-20



Select the insert value (Page 31)
Sélectionnez la valeur de l'insert (Page 31)
Wählen Sie den Wert der Einlage aus (Seite 31)
Selecteer de waarde voor het invoegen (Pagina 31)

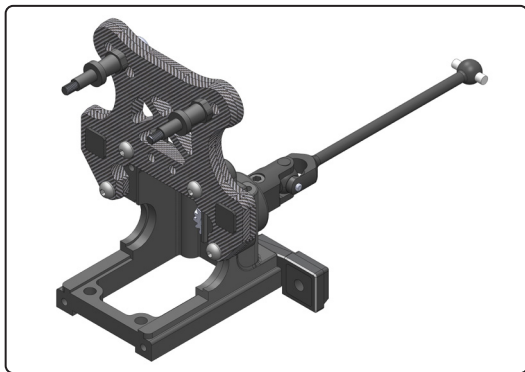
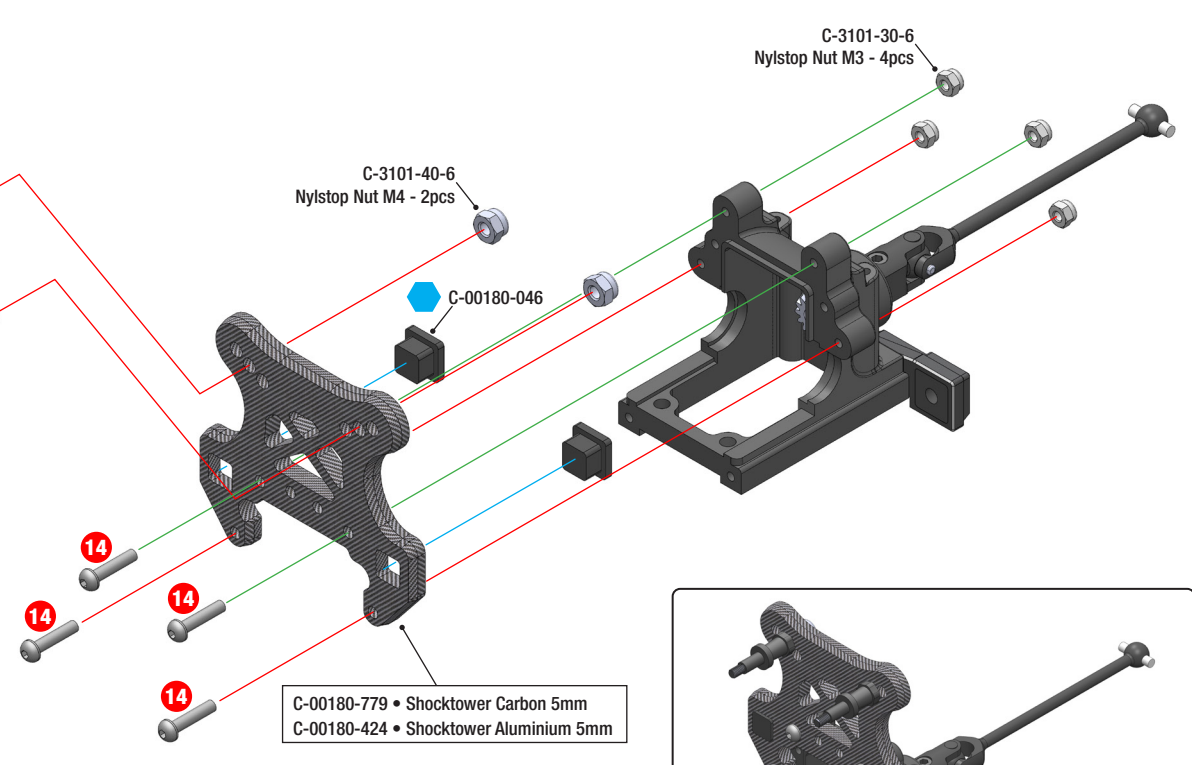




**BAG
2**

**HEX BUTTON HEAD SCREWS
DIN 7380 - STEEL - 10 PCS**

14 M3x14mm
#C-3003-30-14

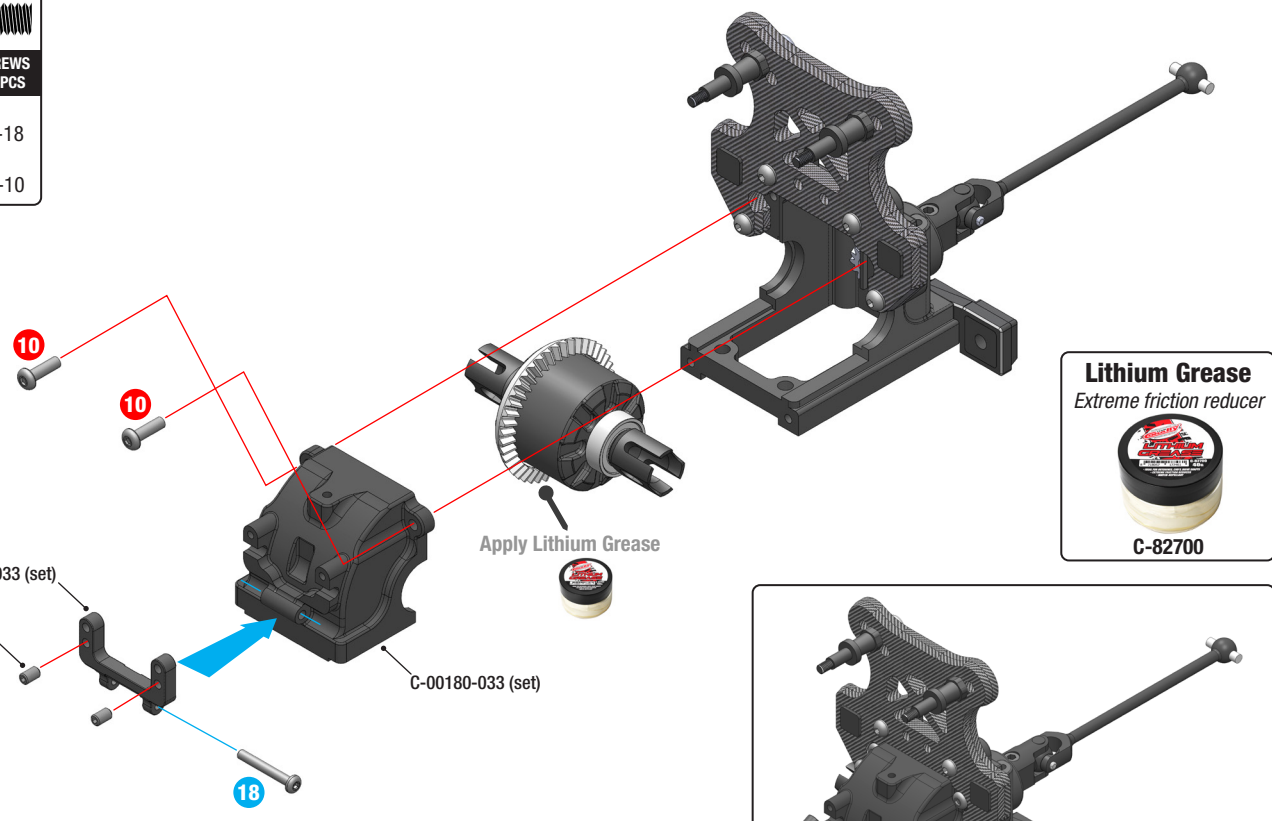


Select the insert value (Page 31)
Sélectionnez la valeur de l'insert (Page 31)
 Wählen Sie den Wert der Einlage aus (Seite 31)
 Selecteer de waarde voor het invoegen (Pagina 31)

**HEX BUTTON HEAD SCREWS
DIN 7380 - STEEL - 10 PCS**

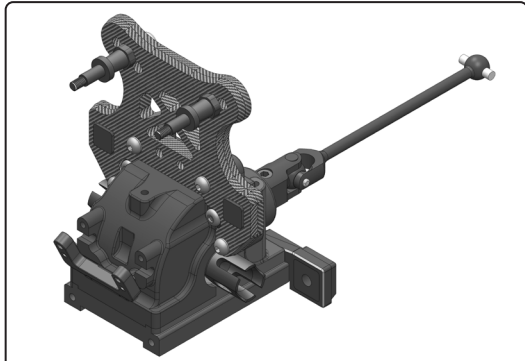
18 M2.5x18mm
#C-3003-25-18

10 M3x10mm
#C-3003-30-10



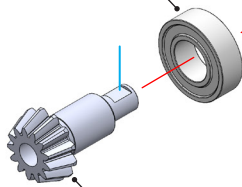
Lithium Grease
 Extreme friction reducer

C-82700



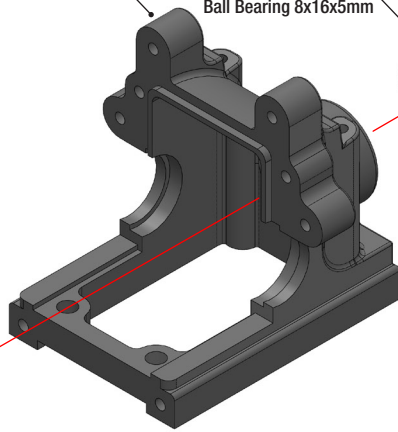


C-3611-3-08-16-05
Ball Bearing 8x16x5mm



C-00180-156

C-00180-033 (set)

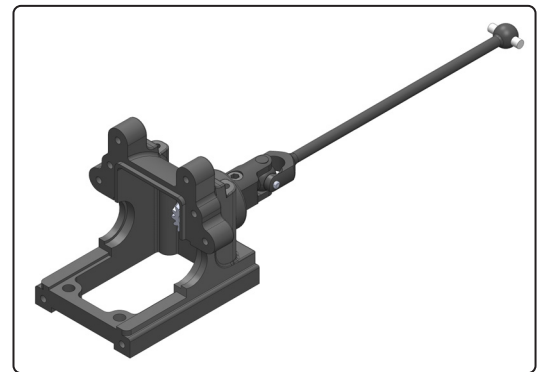


C-3611-3-08-16-05
Ball Bearing 8x16x5mm

C-3004-50-04
M5x4mm



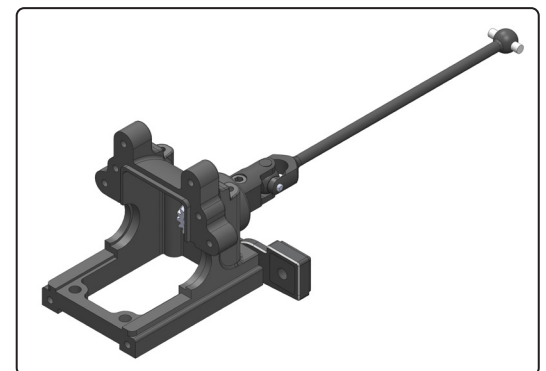
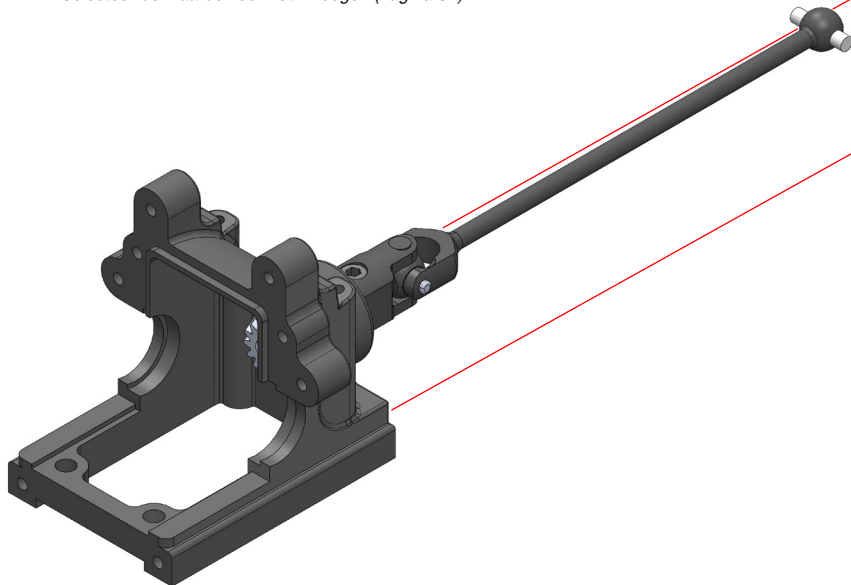
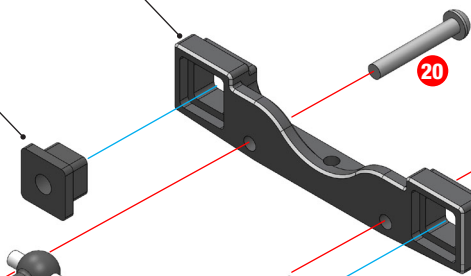
C-00180-1107



Select the insert value (Page 31)
Sélectionnez la valeur de l'insert (Page 31)
Wählen Sie den Wert der Einlage aus (Seite 31)
Selecteer de waarde voor het invoegen (Pagina 31)

C-00180-046 (set)

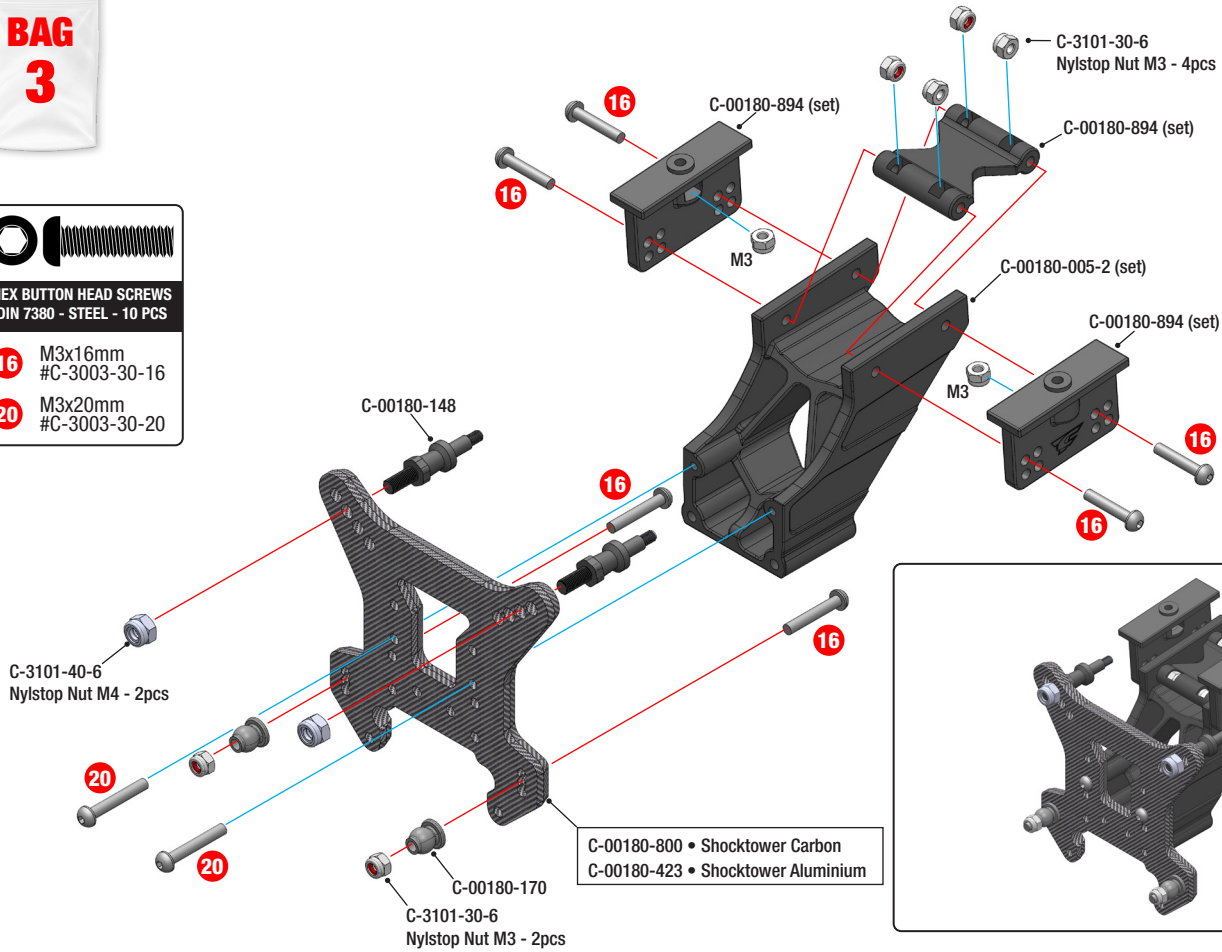
C-00180-141





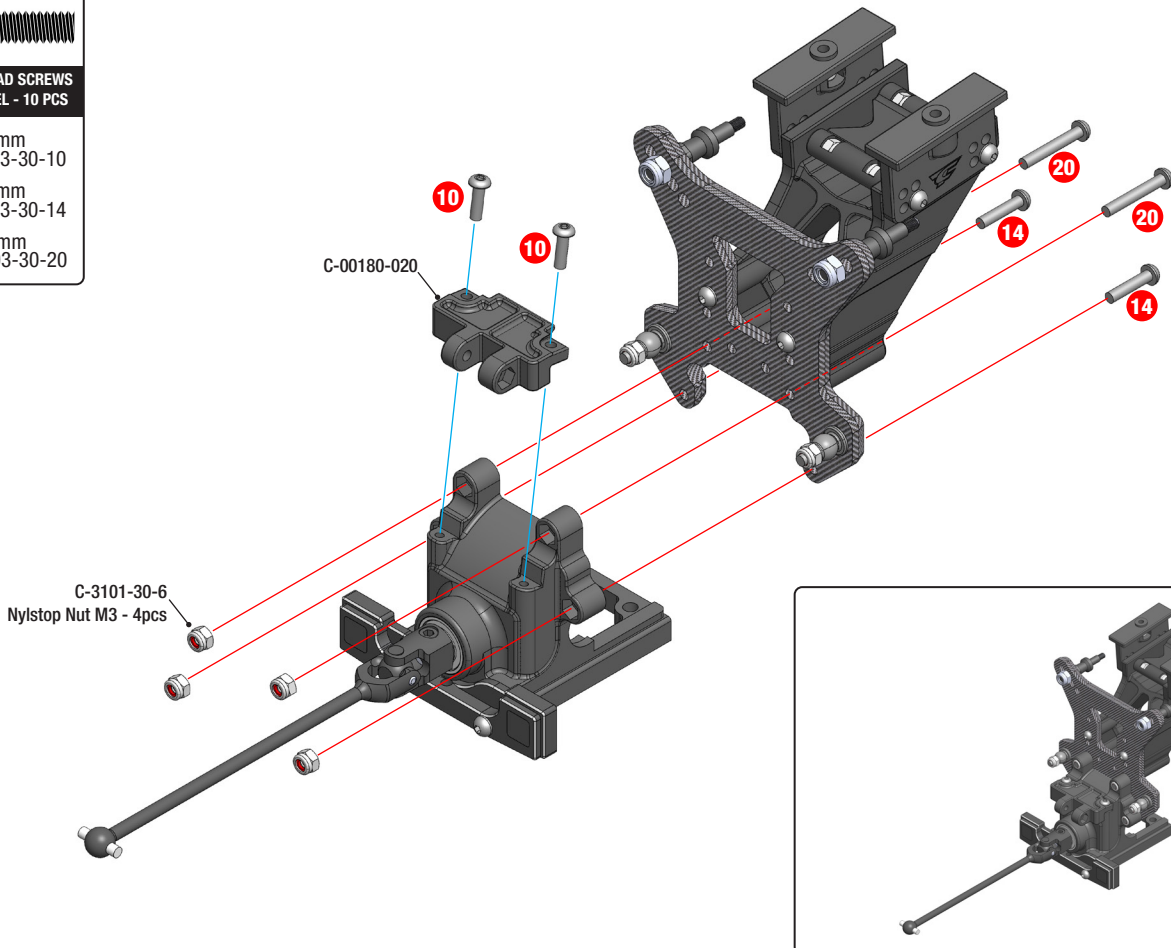
HEX BUTTON HEAD SCREWS
DIN 7380 - STEEL - 10 PCS

- 16** M3x16mm
#C-3003-30-16
- 20** M3x20mm
#C-3003-30-20



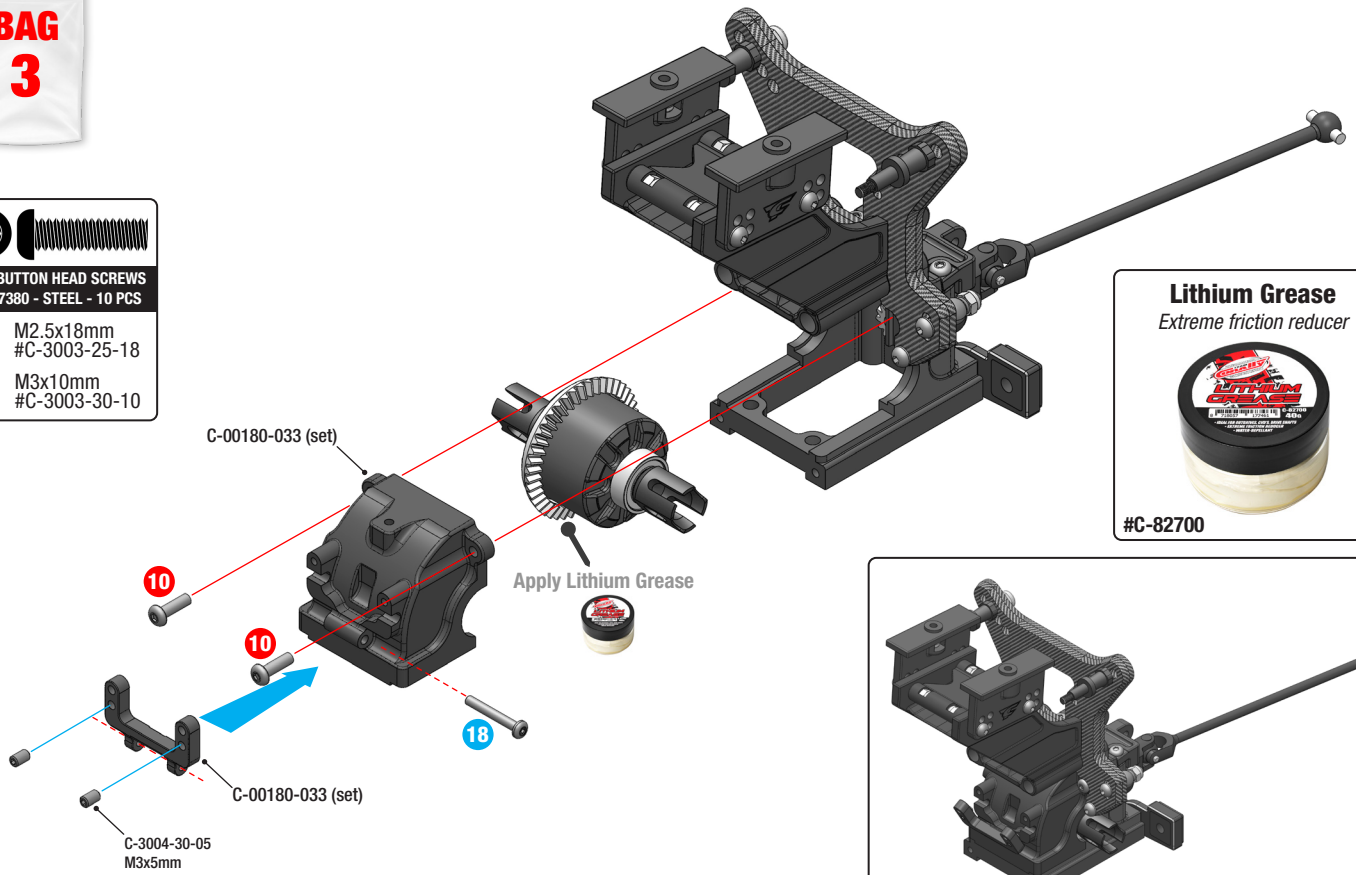
HEX BUTTON HEAD SCREWS
DIN 7380 - STEEL - 10 PCS

- 10** M3x10mm
#C-3003-30-10
- 14** M3x14mm
#C-3003-30-14
- 20** M3x20mm
#C-3003-30-20

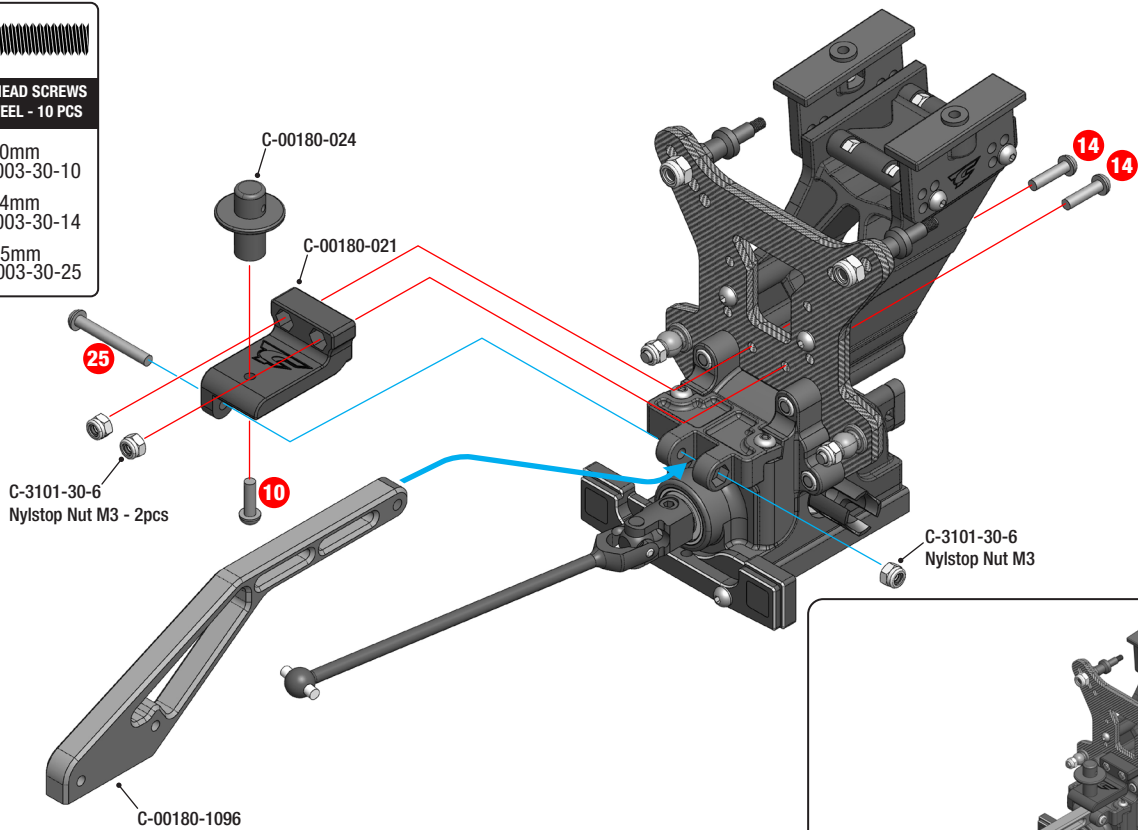


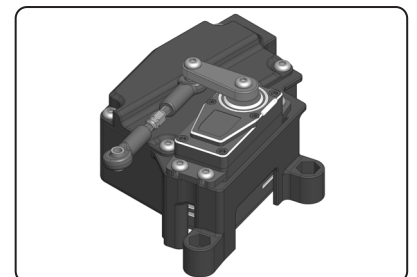
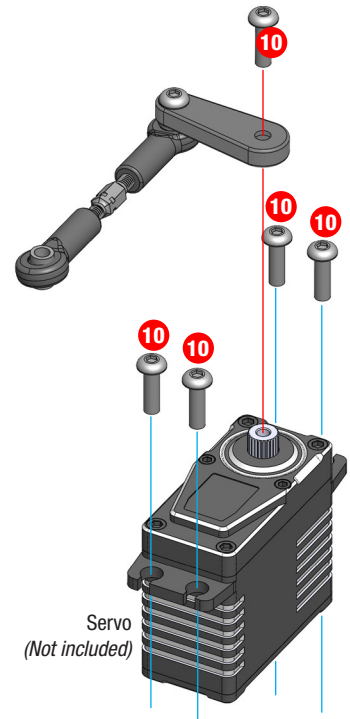
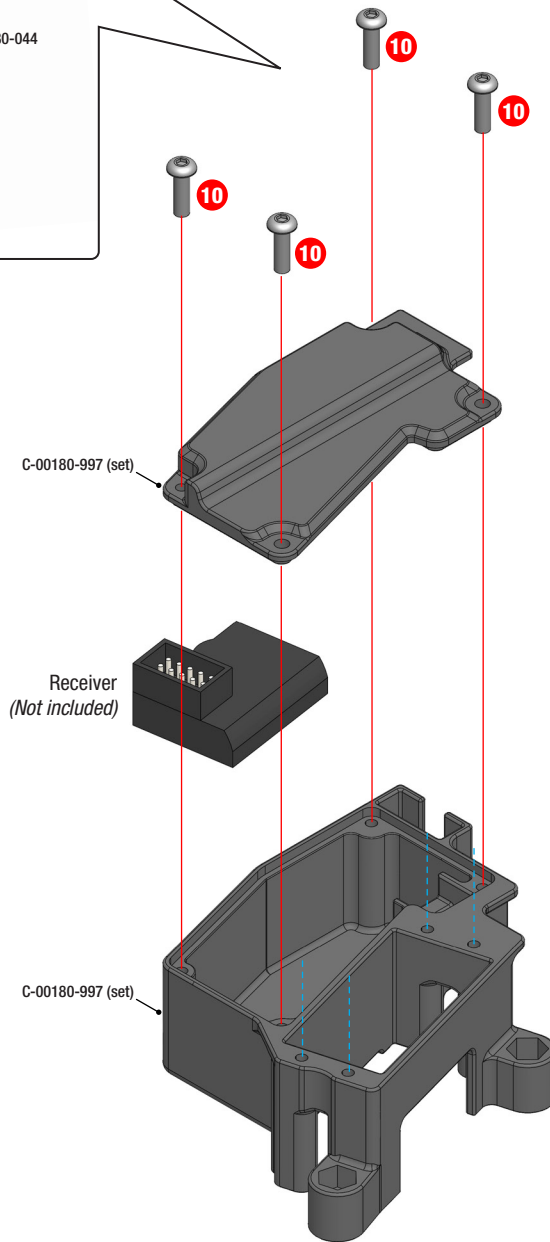
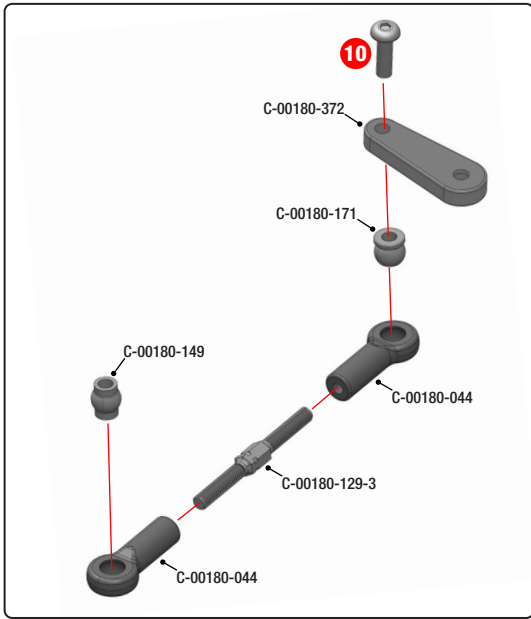
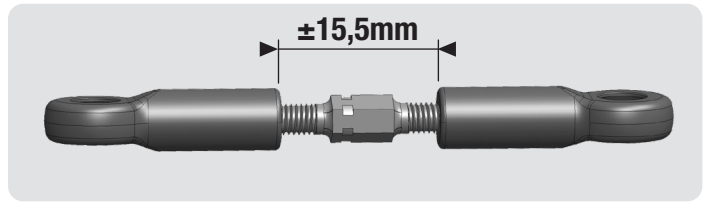


- HEX BUTTON HEAD SCREWS
DIN 7380 - STEEL - 10 PCS**
- 18** M2.5x18mm
#C-3003-25-18
 - 10** M3x10mm
#C-3003-30-10



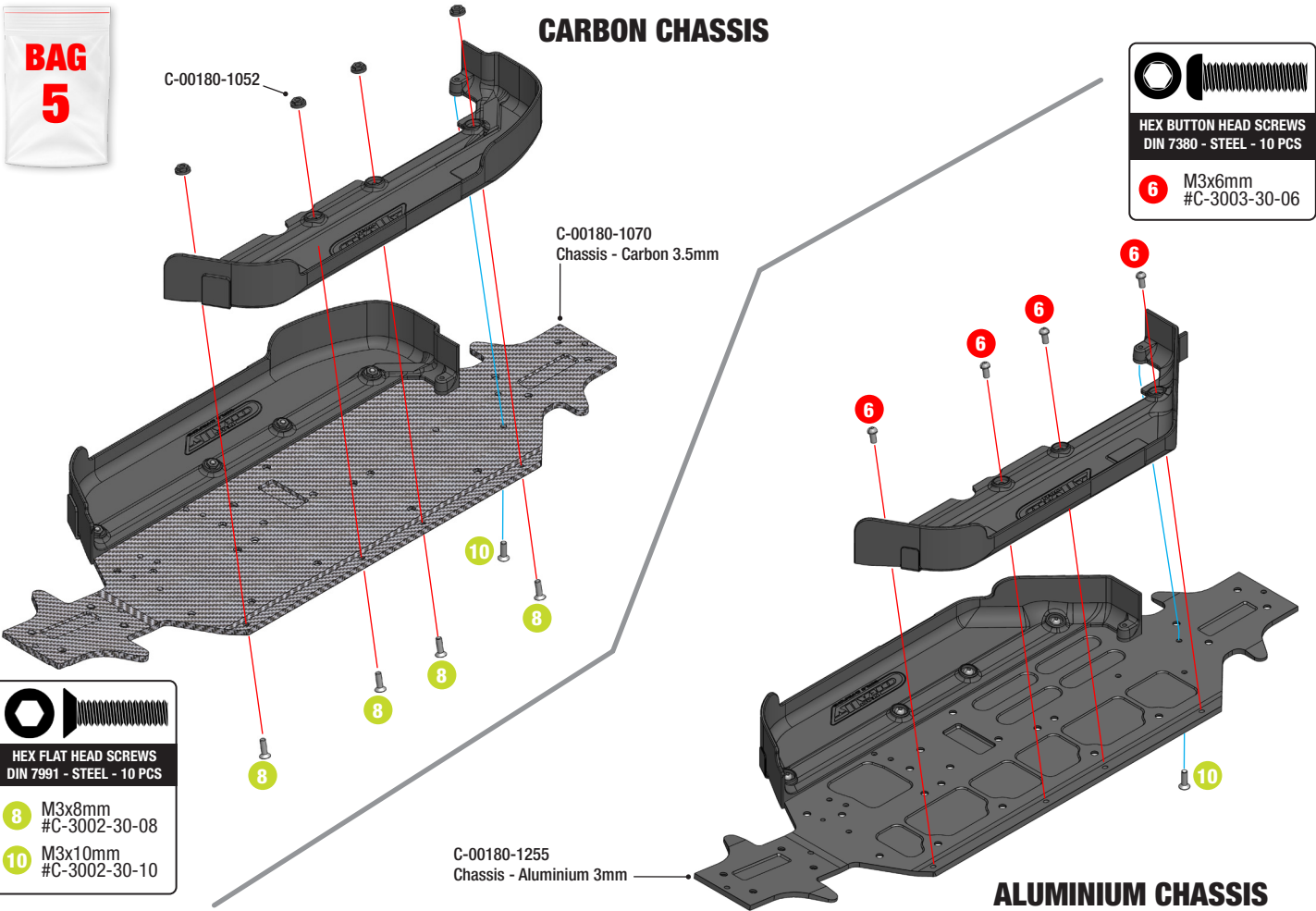
- HEX BUTTON HEAD SCREWS
DIN 7380 - STEEL - 10 PCS**
- 10** M3x10mm
#C-3003-30-10
 - 14** M3x14mm
#C-3003-30-14
 - 25** M3x25mm
#C-3003-30-25







CARBON CHASSIS



HEX BUTTON HEAD SCREWS
DIN 7380 - STEEL - 10 PCS

6 M3x6mm
#C-3003-30-06

HEX FLAT HEAD SCREWS
DIN 7991 - STEEL - 10 PCS

8 M3x8mm
#C-3002-30-08

10 M3x10mm
#C-3002-30-10

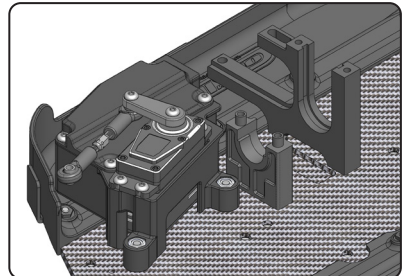
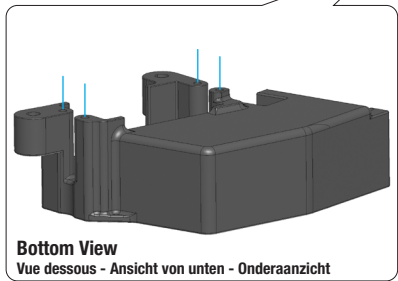
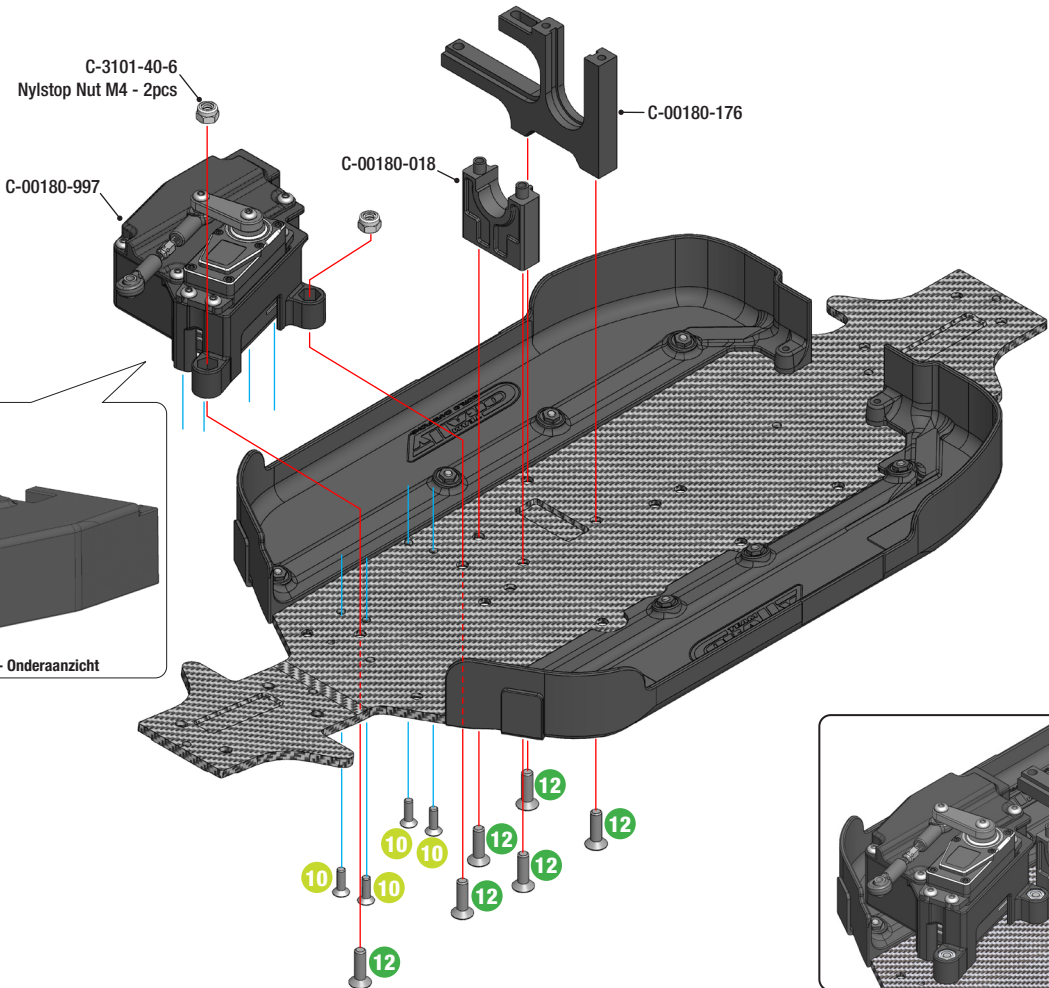
ALUMINIUM CHASSIS

HEX FLAT HEAD SCREWS
DIN 7991 - STEEL - 10 PCS

10 M3x10mm
#C-3002-30-10

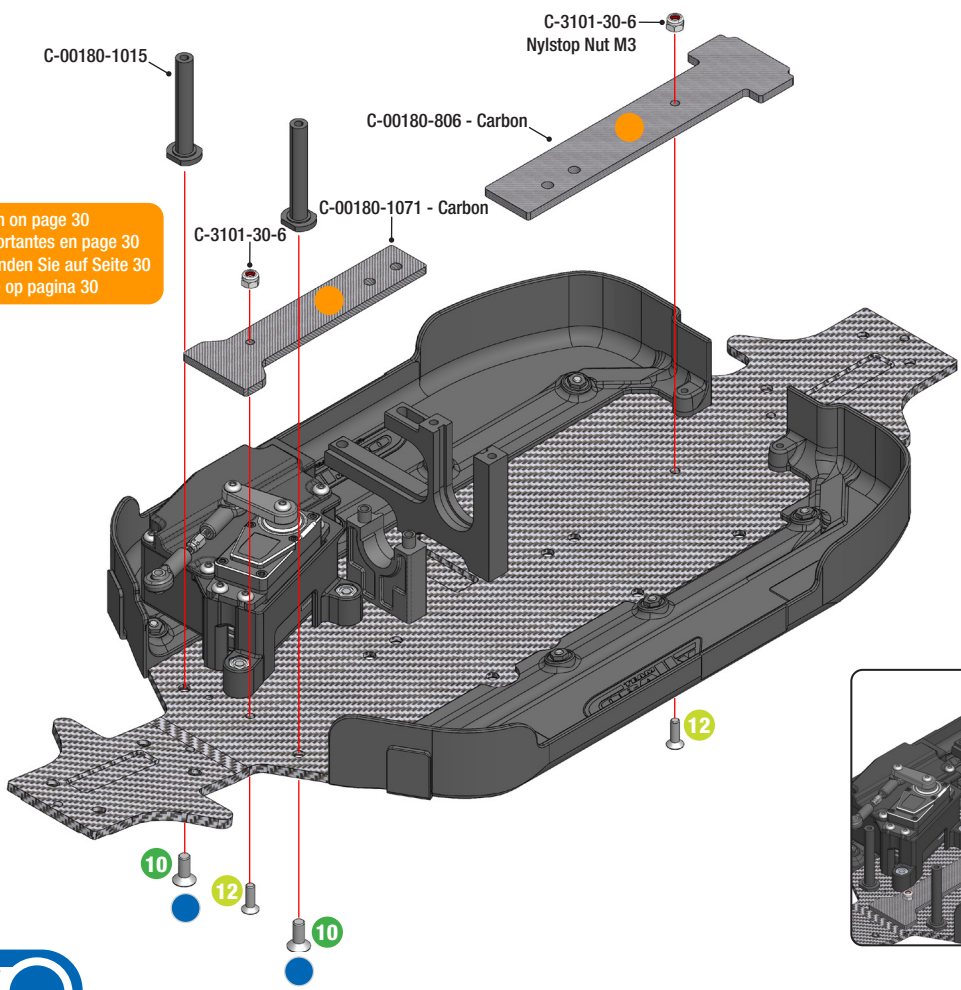
12 M4x12mm
#C-3002-40-12

14 M4x14mm
#C-3002-40-14



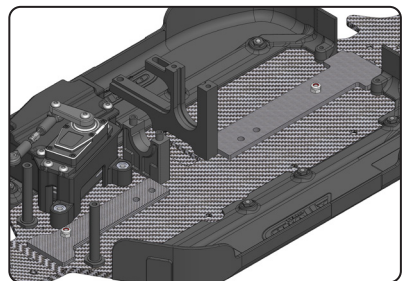


See important information on page 30
 Voir les informations importantes en page 30
 Wichtige Informationen finden Sie auf Seite 30
 Zie belangrijke informatie op pagina 30

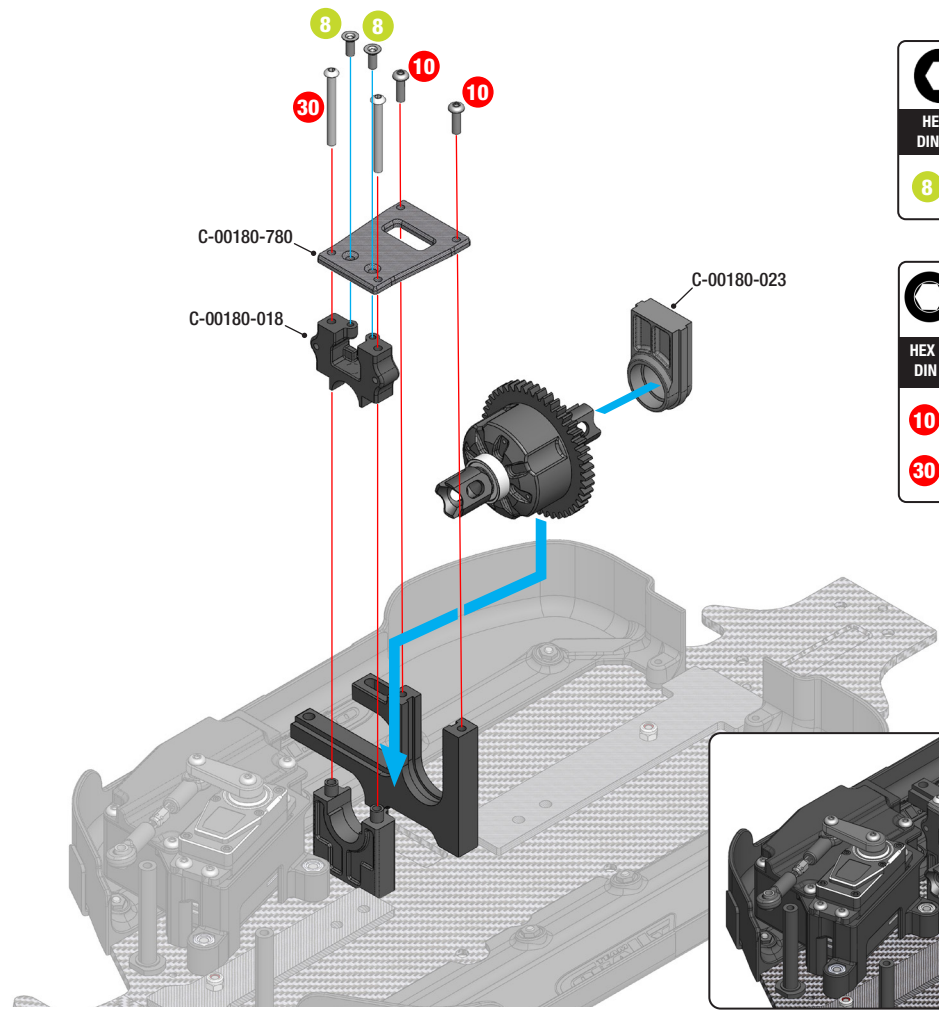


HEX FLAT HEAD SCREWS
 DIN 7991 - STEEL - 10 PCS

- 12 M3x12mm #C-3002-30-12
- 10 M4x10mm #C-3002-40-10



Apply **CORALLY LOCK-IT 100**
 # C-13094

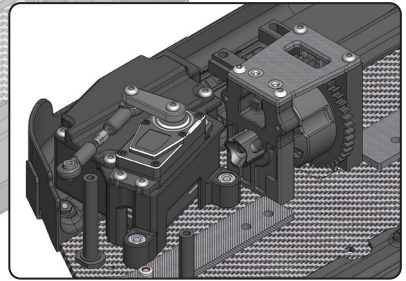


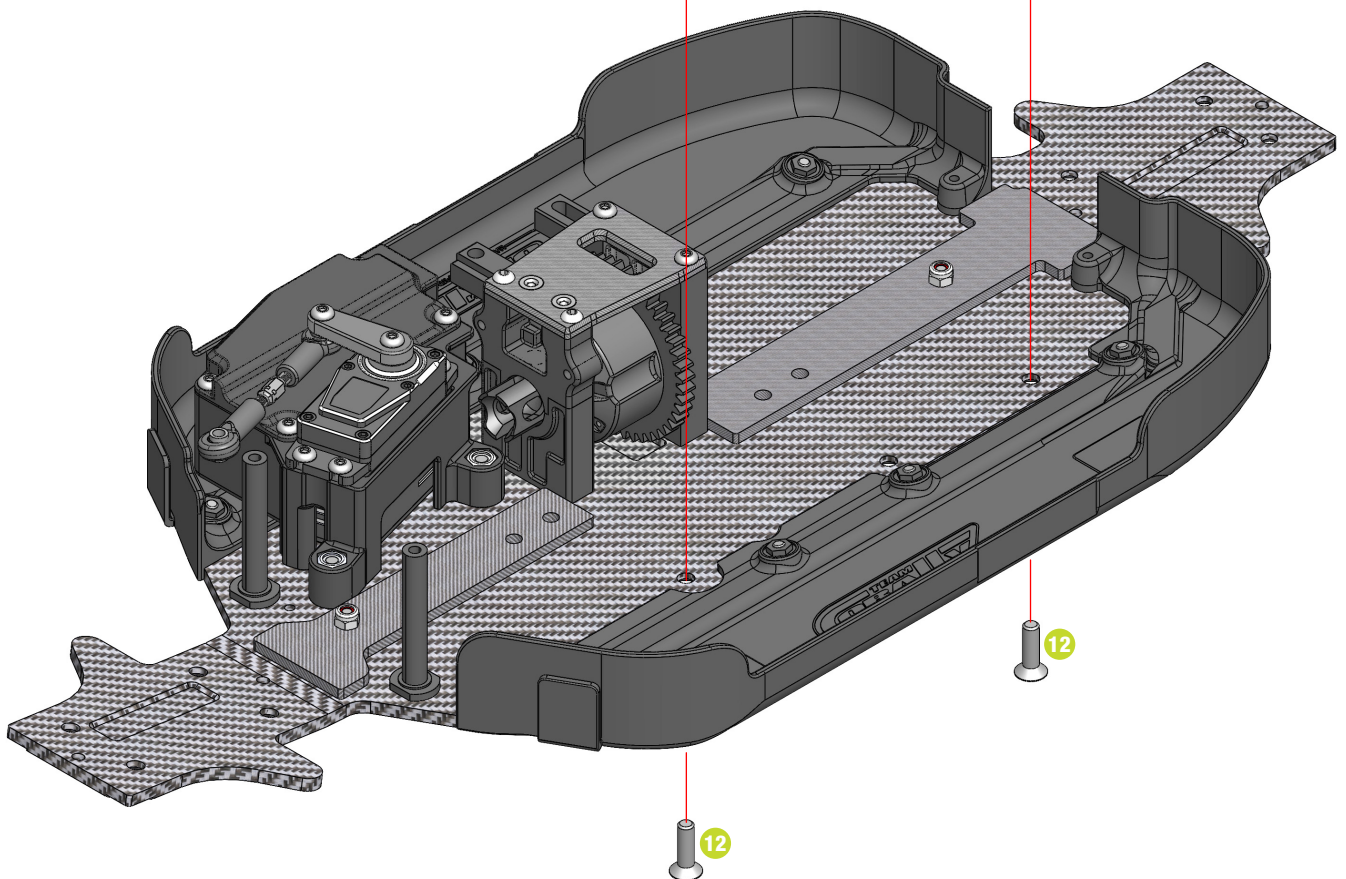
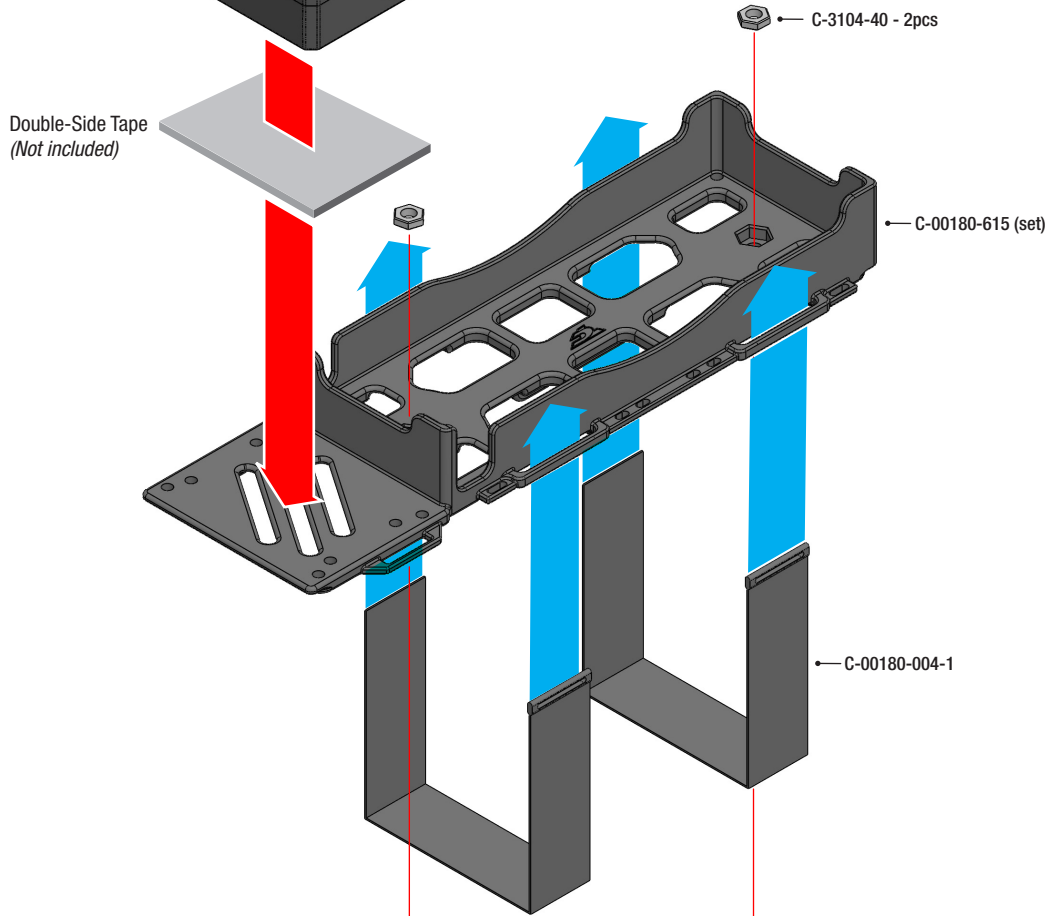
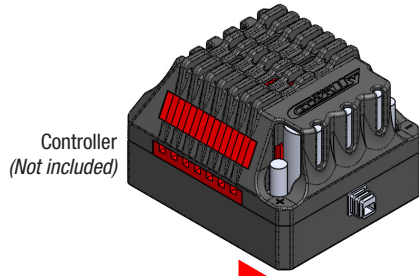
HEX FLAT HEAD SCREWS
 DIN 7991 - STEEL - 10 PCS

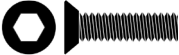
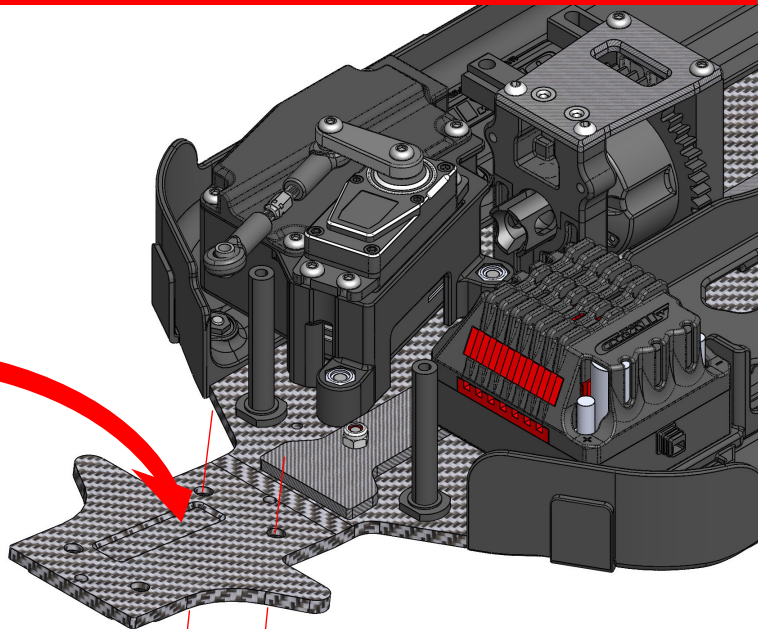
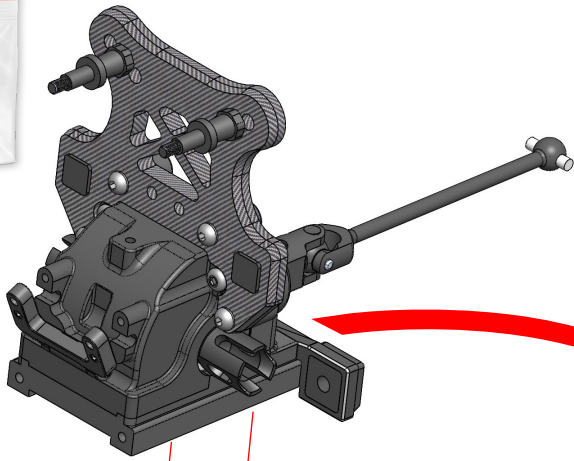
- 8 M3x8mm #C-3002-30-08

HEX BUTTON HEAD SCREWS
 DIN 7380 - STEEL - 10 PCS

- 10 M3x10mm #C-3003-30-10
- 30 M3x30mm #C-3003-30-30

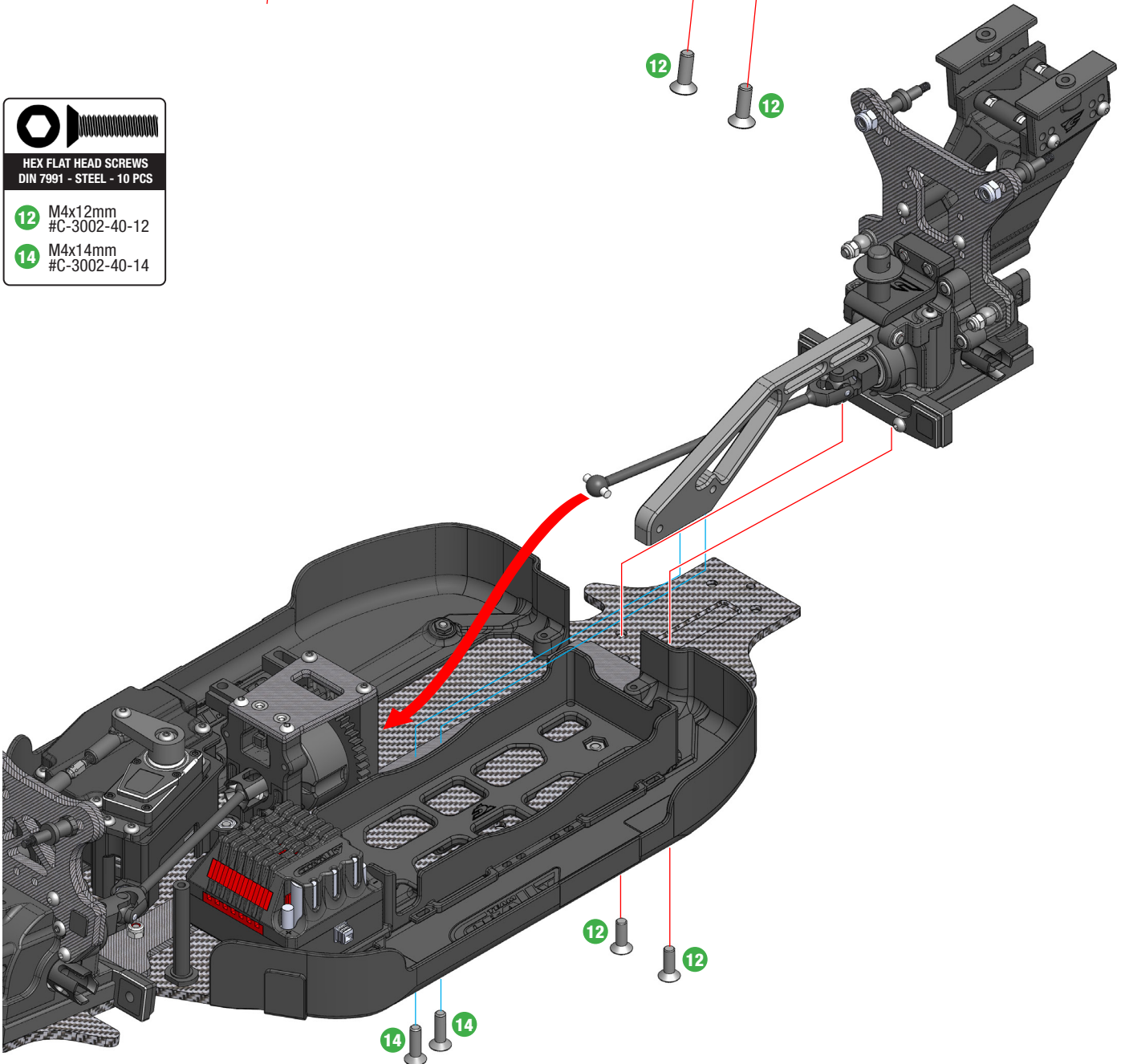
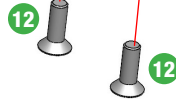


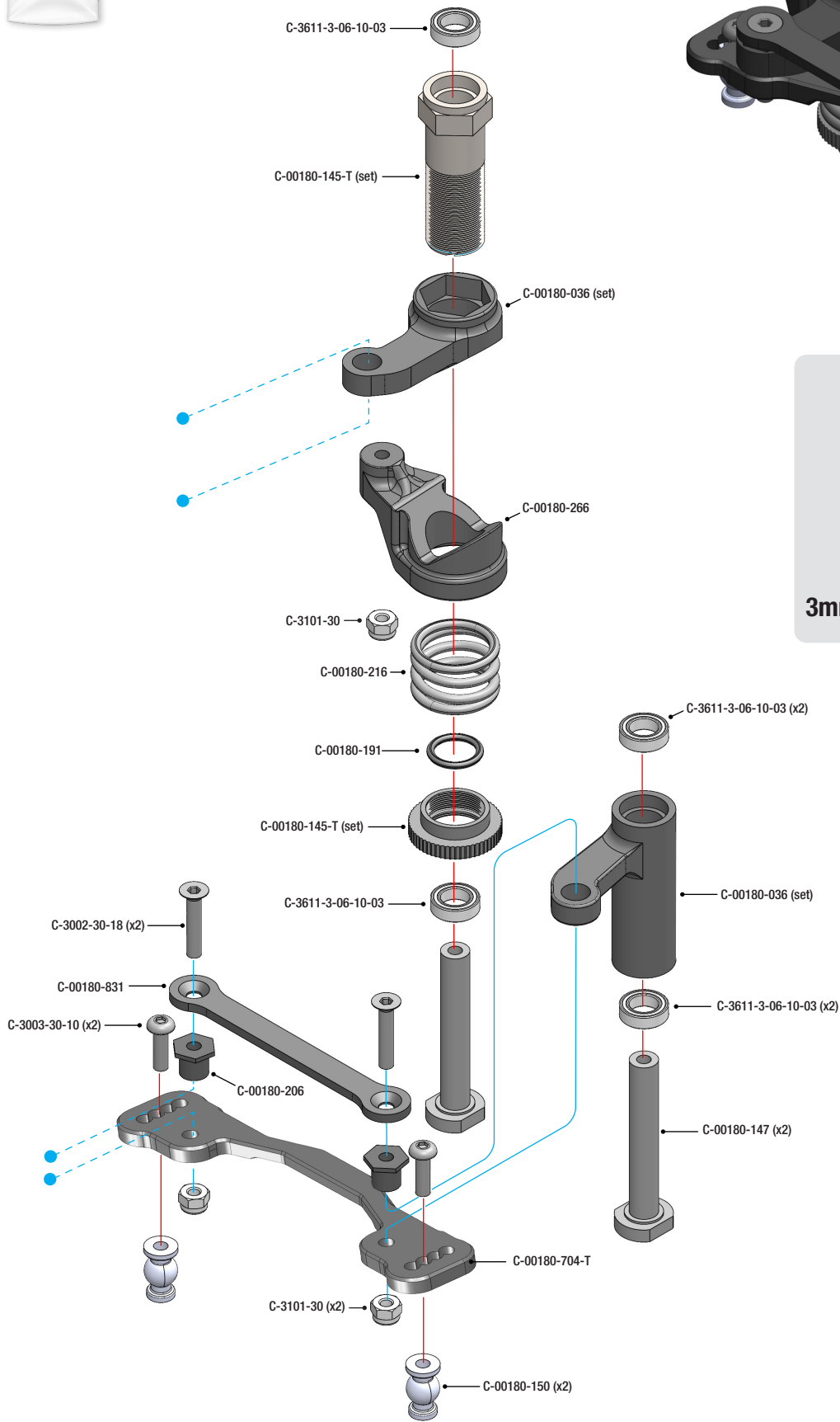
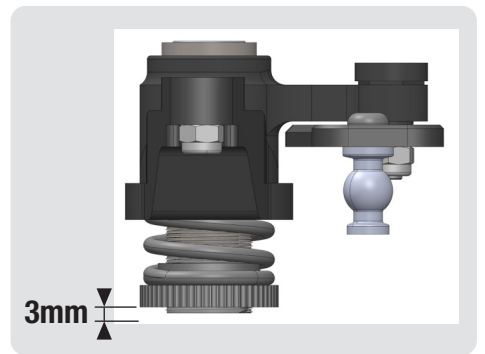
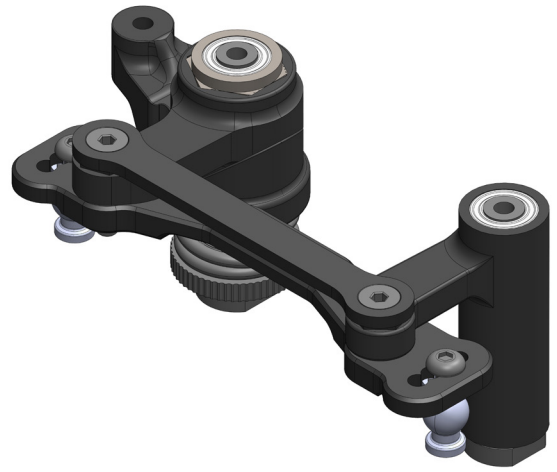


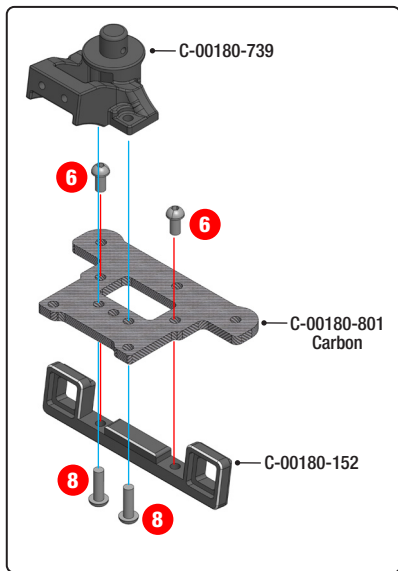


HEX FLAT HEAD SCREWS
DIN 7991 - STEEL - 10 PCS

- 12 M4x12mm
#C-3002-40-12
- 14 M4x14mm
#C-3002-40-14







HEX FLAT HEAD SCREWS
DIN 7991 - STEEL - 10 PCS

14 M3x14mm
#C-3002-30-14

HEX BUTTON HEAD SCREWS
DIN 7380 - STEEL - 10 PCS

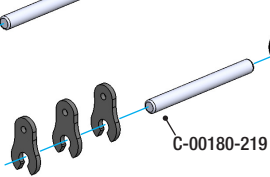
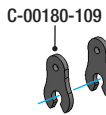
6 M3x6mm
#C-3003-30-06

8 M3x8mm
#C-3003-30-08

10 M3x10mm
#C-3003-30-10

18 M3x18mm
#C-3003-30-18

C-00180-1080 (Right)
C-00180-1081 (Left)



C-3004-30-04 - 2pcs

C-3004-30-04 - 2pcs

C-00180-046

C-00180-1095

18

C-3101-30-6

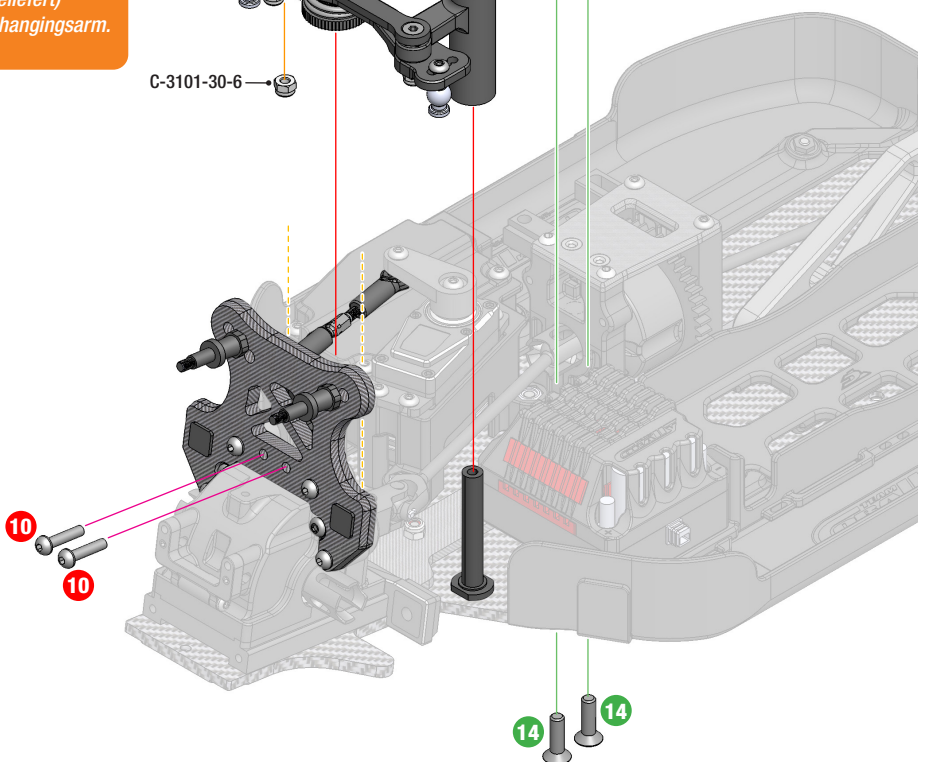
- Screws to be used in case of play in the suspension arm. (not delivered)
- Vis a utiliser en cas de jeu dans le bras de suspension. (Pas fournies)
- Schraube zur Verwendung bei Spiel im Querlenker. (nicht geliefert)
- Schroeven die moeten worden gebruikt bij speling in de ophangingsarm. (niet geleverd)

Select the insert value (Page 31)

Sélectionnez la valeur de l'insert (Page 31)

Wählen Sie den Wert der Einlage aus (Seite 31)

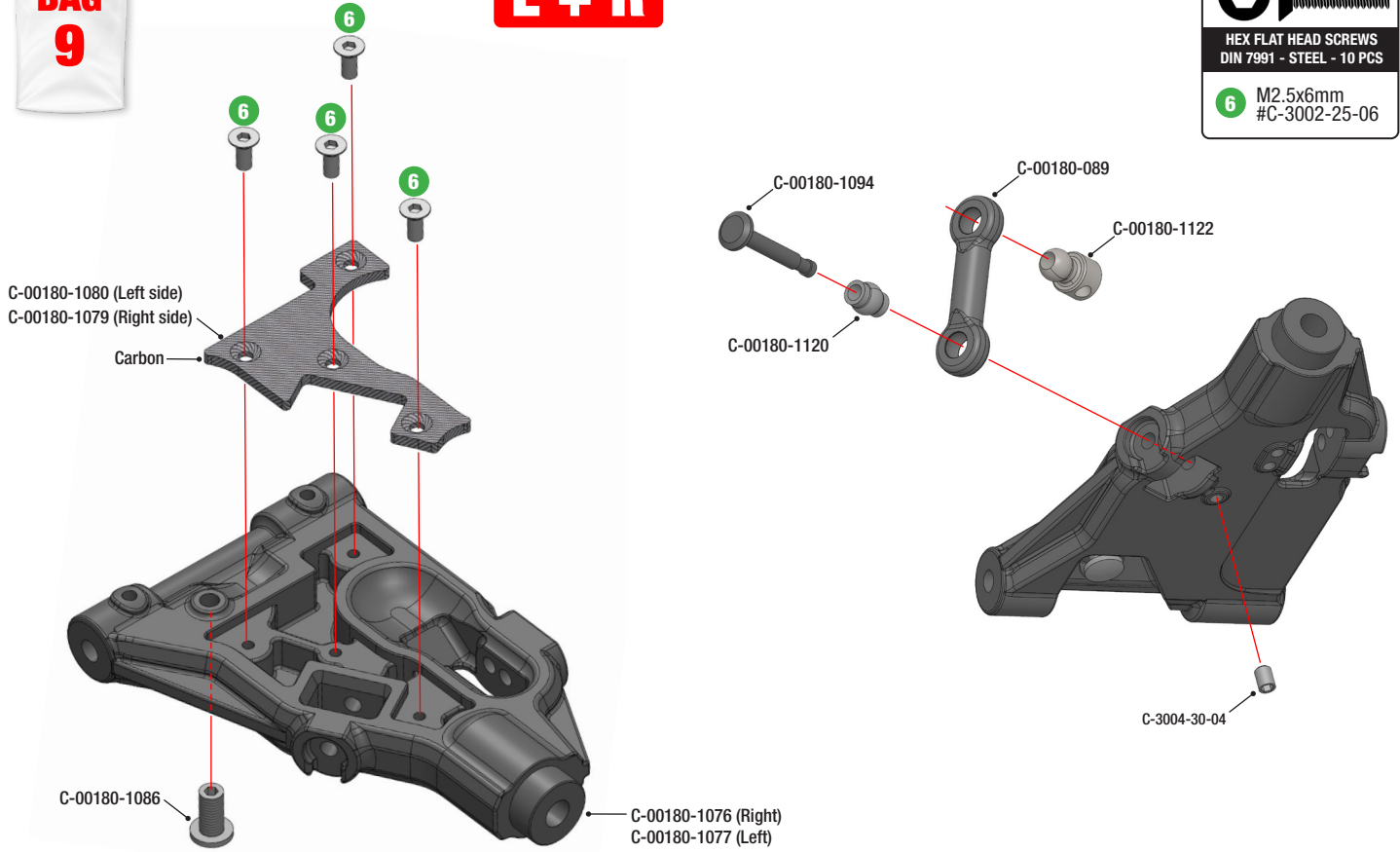
Selecteer de waarde voor het invoegen (Pagina 31)





HEX FLAT HEAD SCREWS
DIN 7991 - STEEL - 10 PCS

6 M2.5x6mm
#C-3002-25-06

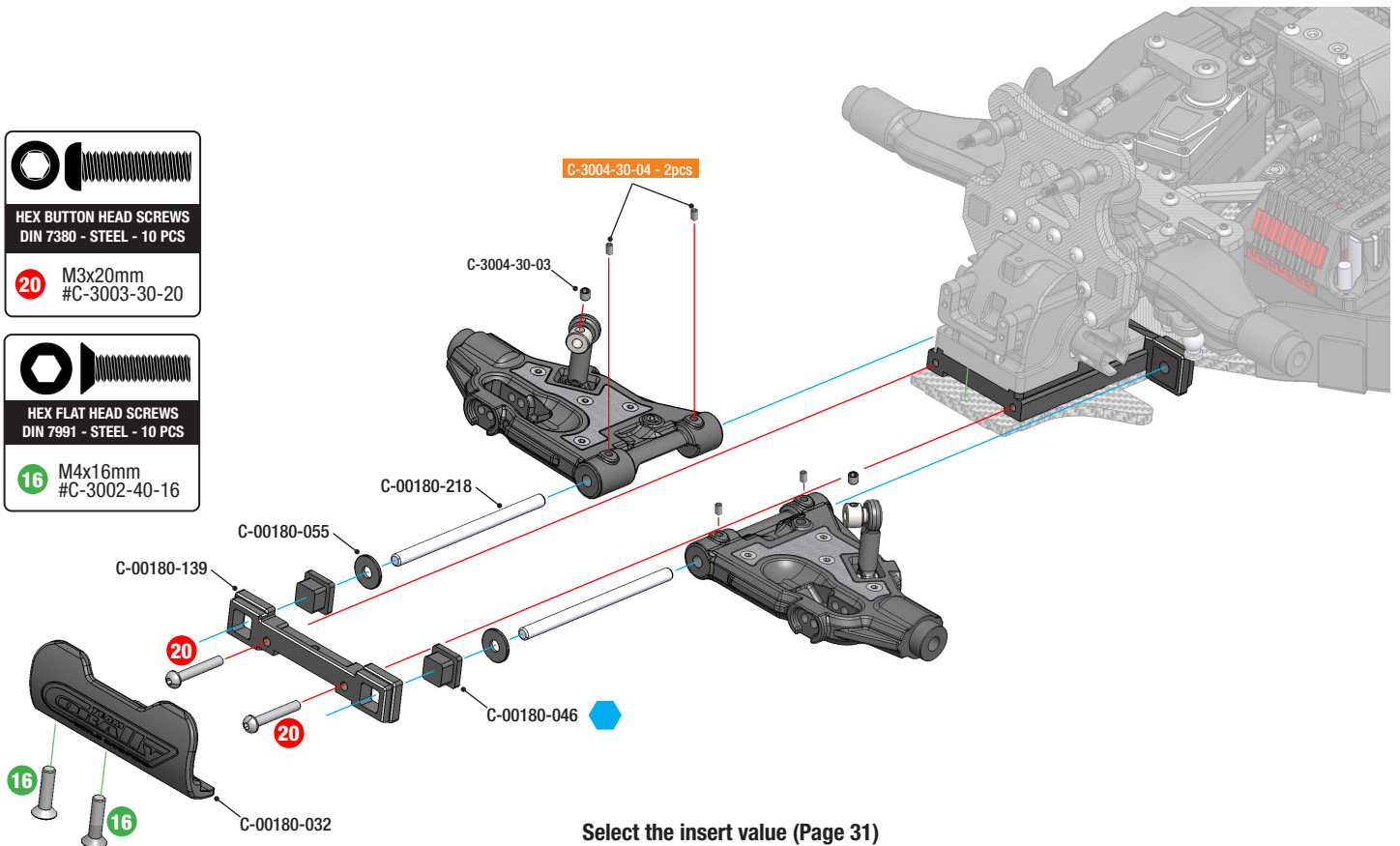


HEX BUTTON HEAD SCREWS
DIN 7380 - STEEL - 10 PCS

20 M3x20mm
#C-3003-30-20

HEX FLAT HEAD SCREWS
DIN 7991 - STEEL - 10 PCS

16 M4x16mm
#C-3002-40-16



Select the insert value (Page 31)

Sélectionnez la valeur de l'insert (Page 31)

Wählen Sie den Wert der Einlage aus (Seite 31)

Selecteer de waarde voor het invoegen (Pagina 31)



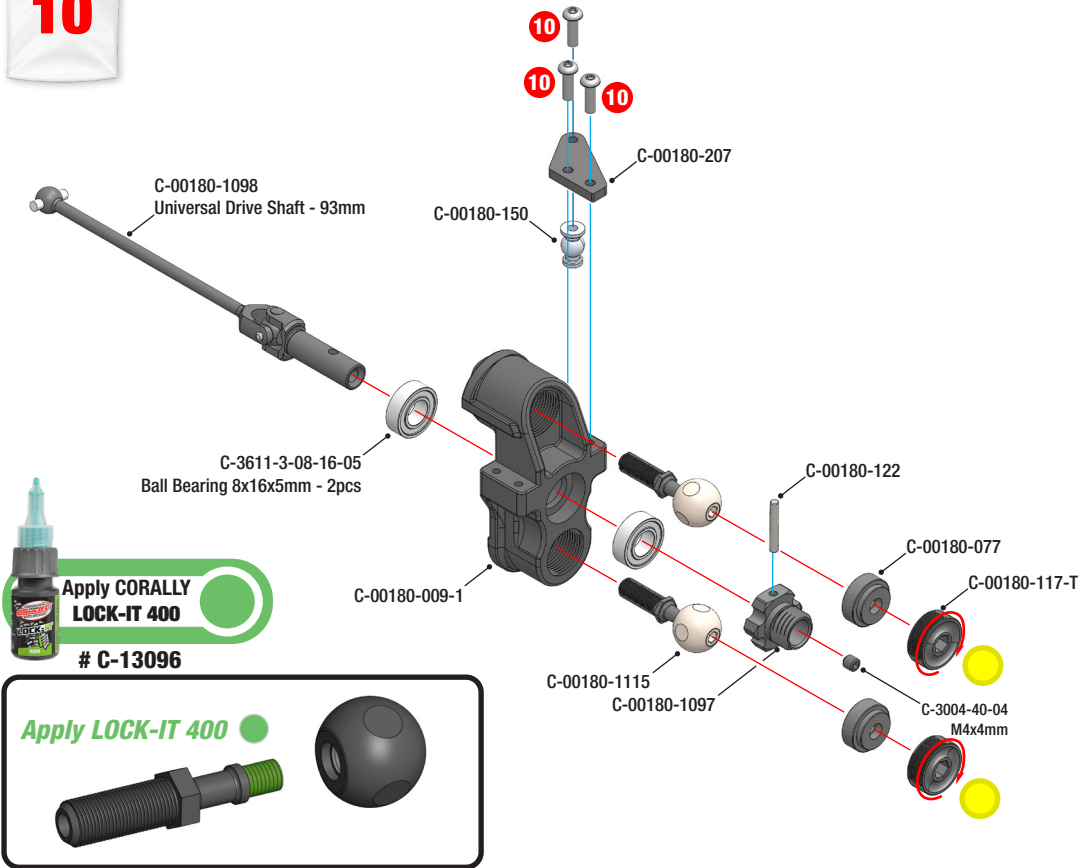
L + R

HEX BUTTON HEAD SCREWS
DIN 7380 - STEEL - 10 PCS

10 M3x10mm
#C-3003-30-10

OPTION STEEL

C-00180-123
Pivot Ball - Steel - 4 pcs

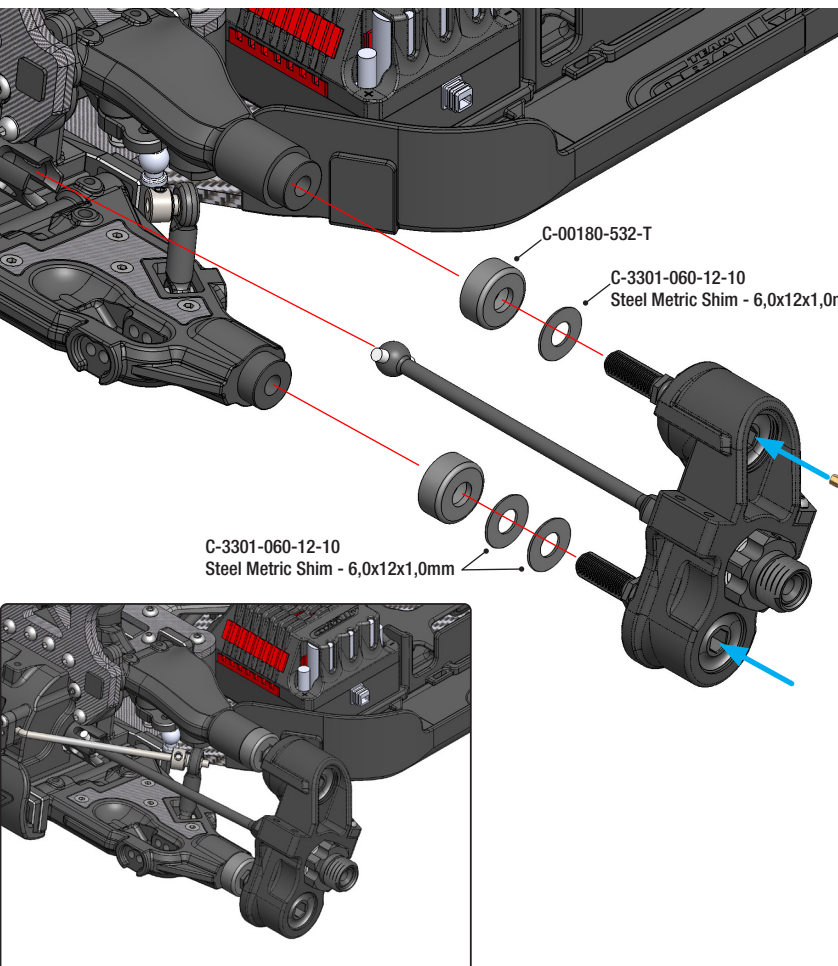


Do not overtighten the aluminium nuts otherwise the steering knuckle will not move freely.

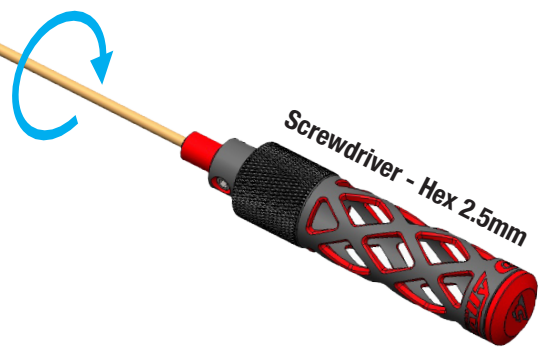
Ne serrez pas trop les écrous en aluminium, sinon la fusée de direction ne pourra pas bouger librement.

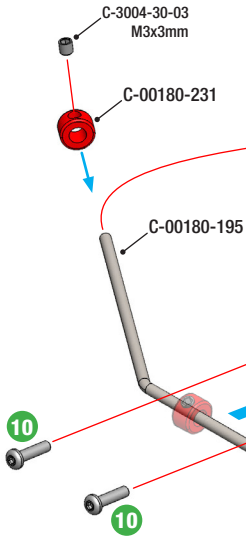
Draai de aluminium moeren niet te vast aan, anders kan de fusée niet vrij bewegen.

Ziehen Sie die Aluminiummuttern nicht zu fest an, da sich der Achsschenkel sonst nicht frei bewegen kann.



L + R

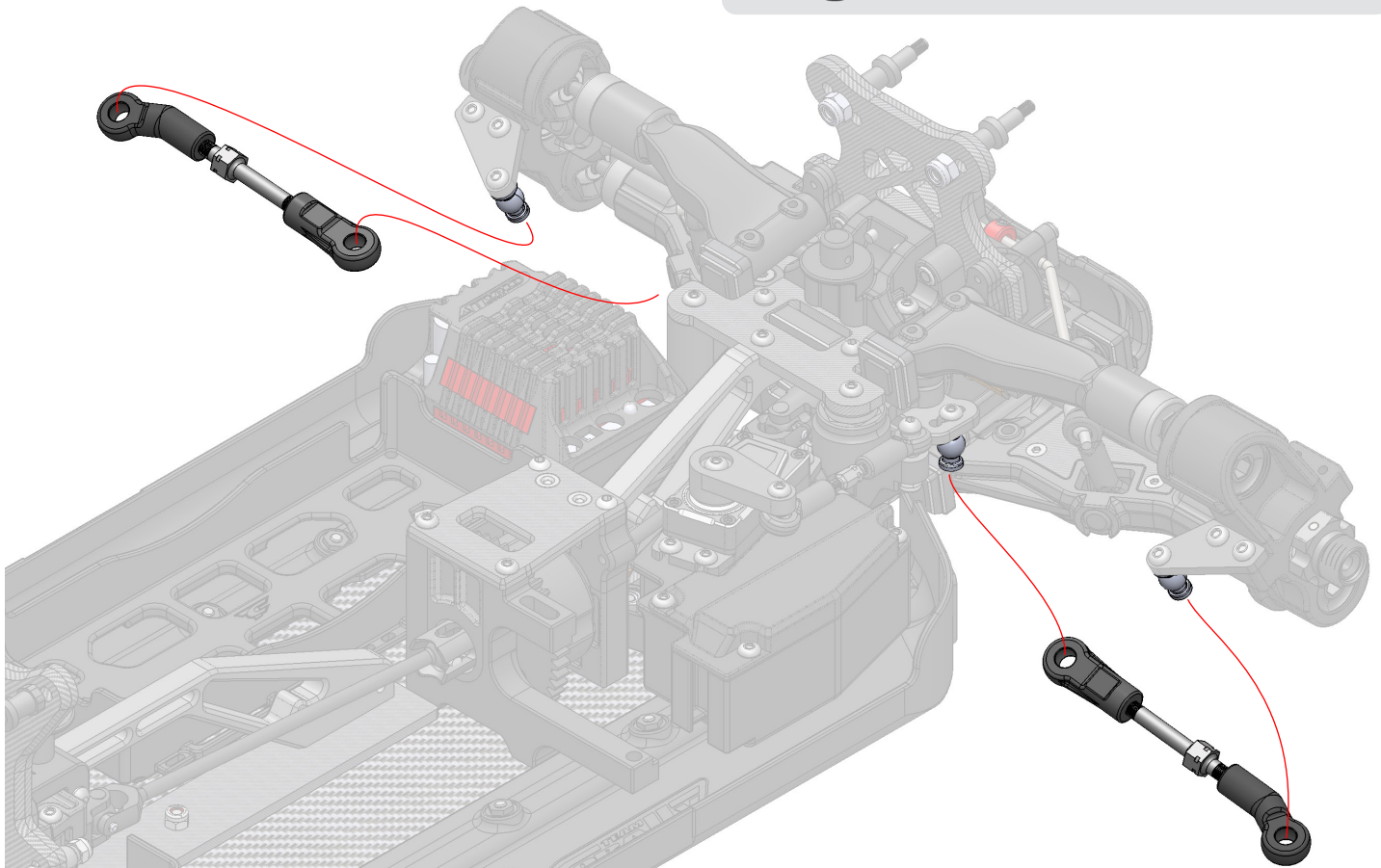
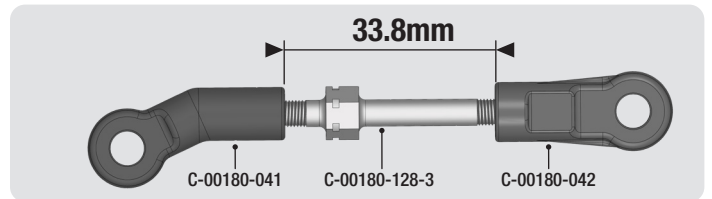


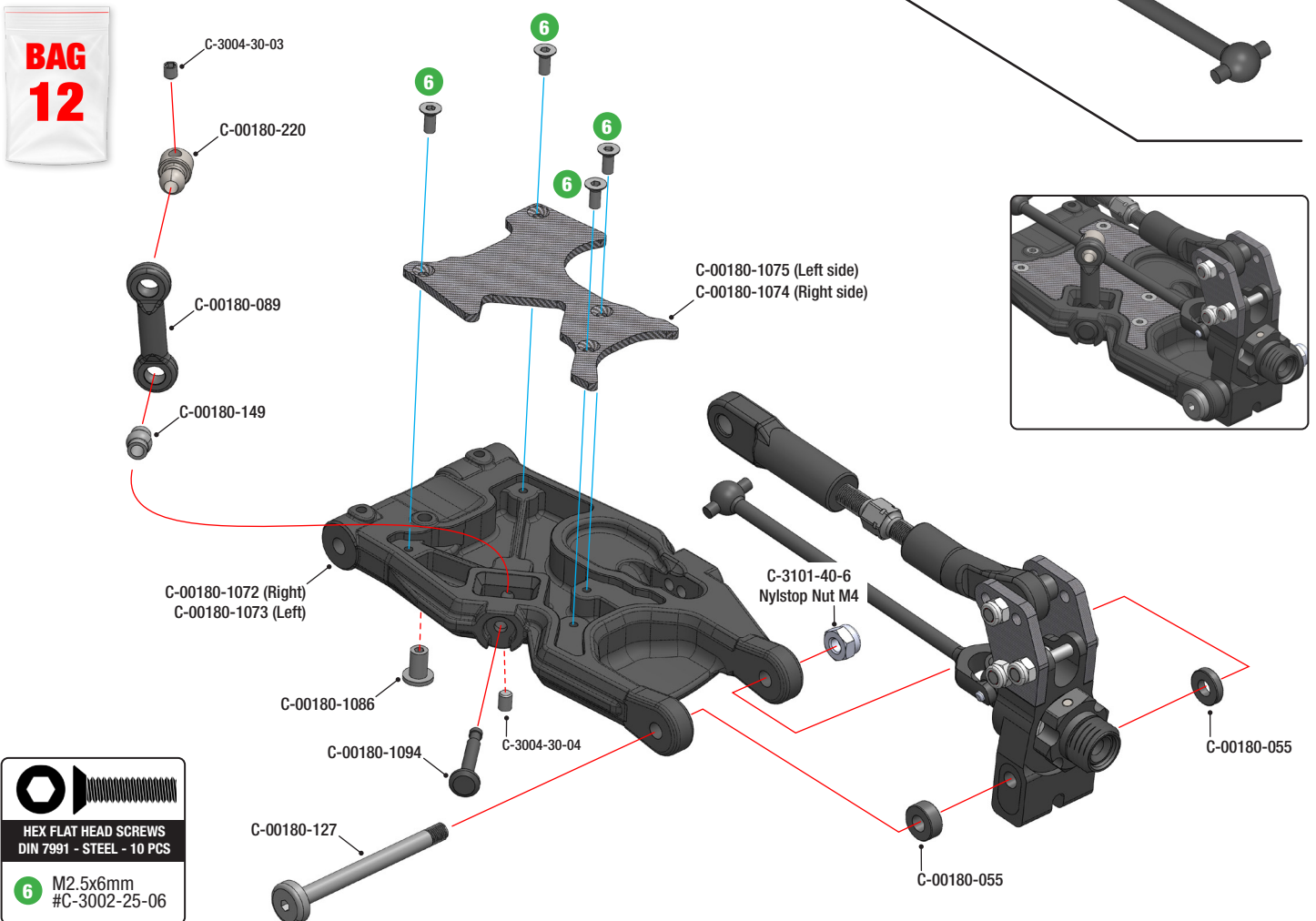
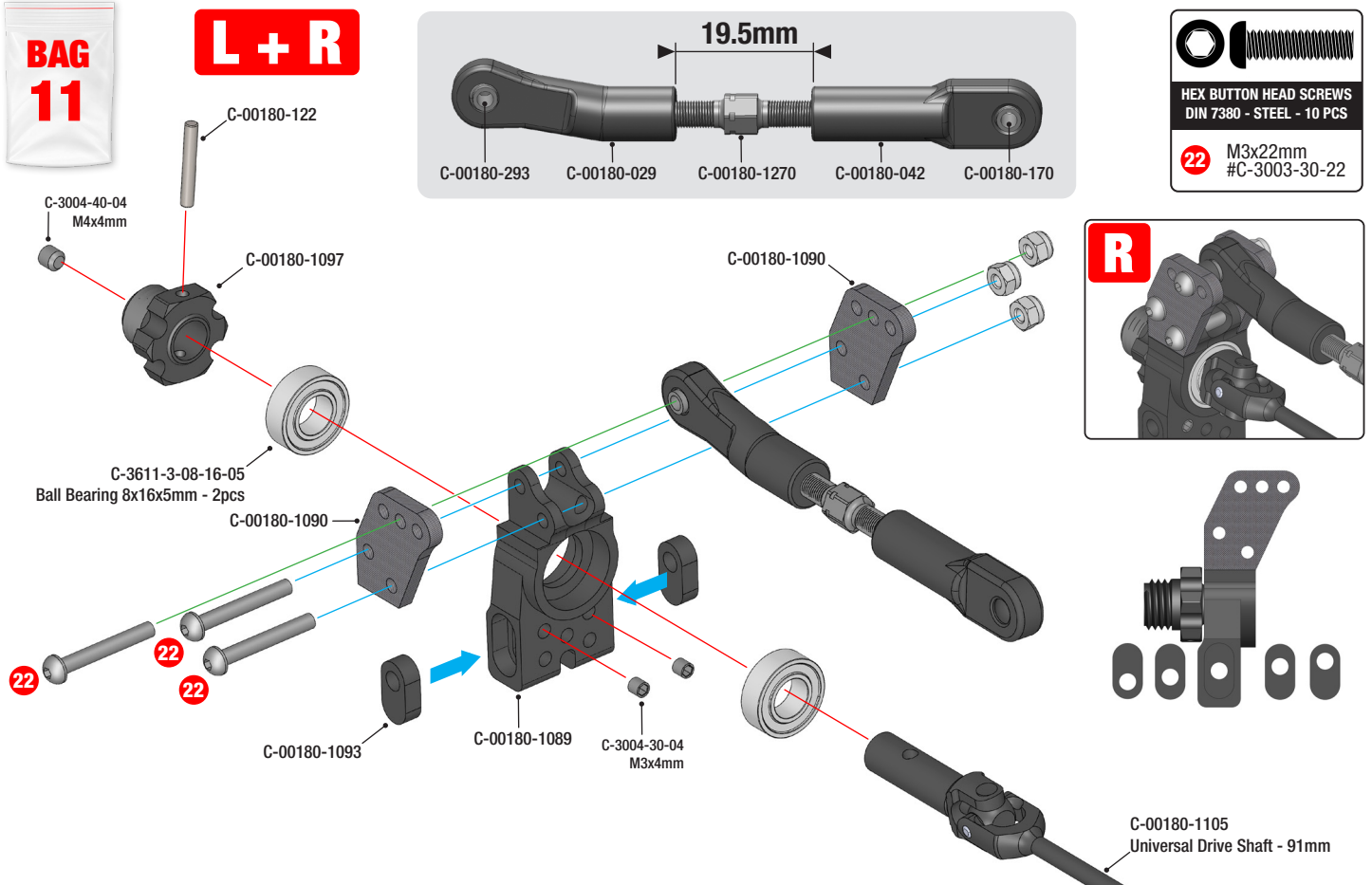


HEX FLAT HEAD SCREWS
DIN 7991 - STEEL - 10 PCS

10 M2.5x10mm
#C-3002-25-10

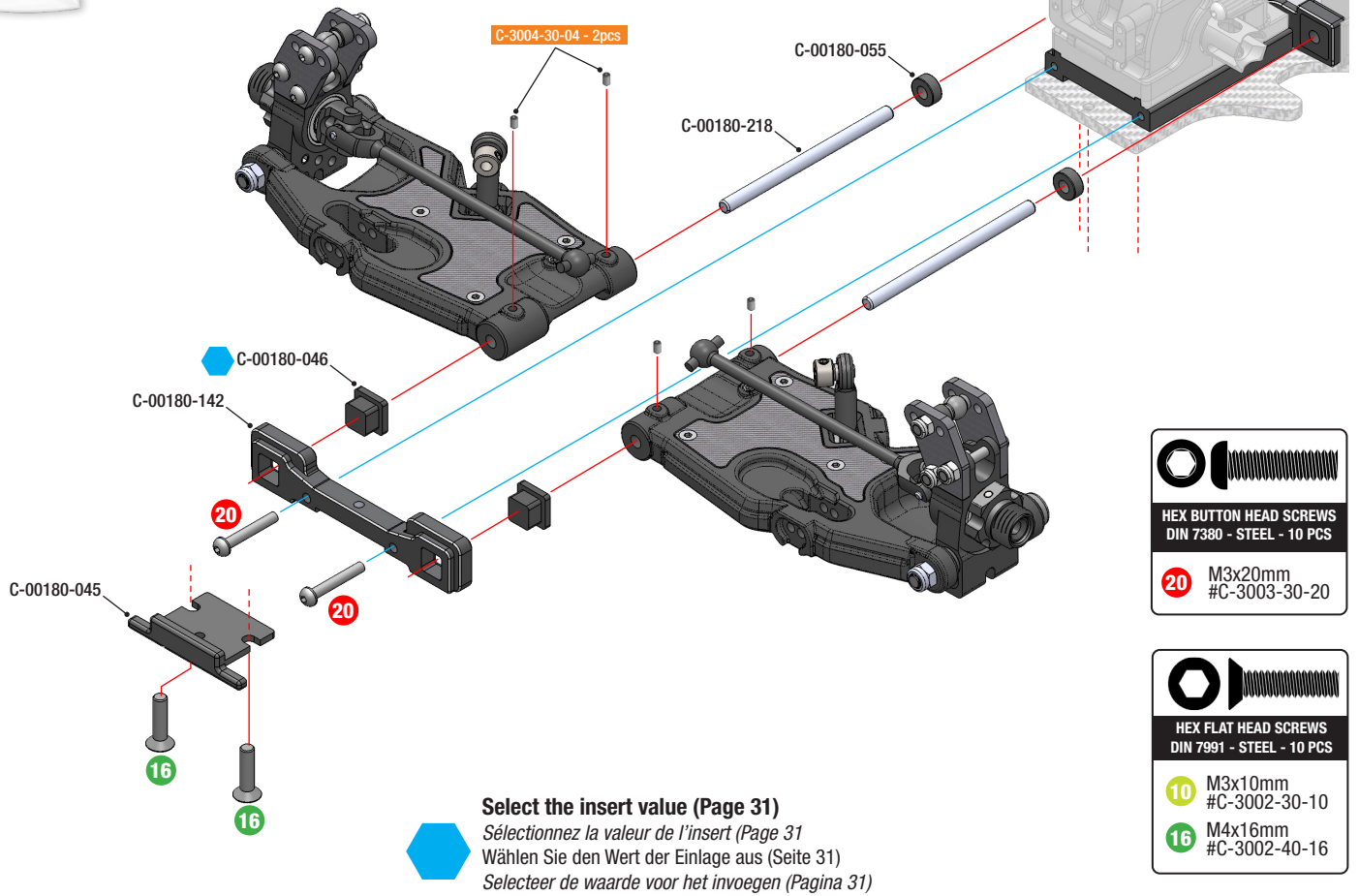
X2





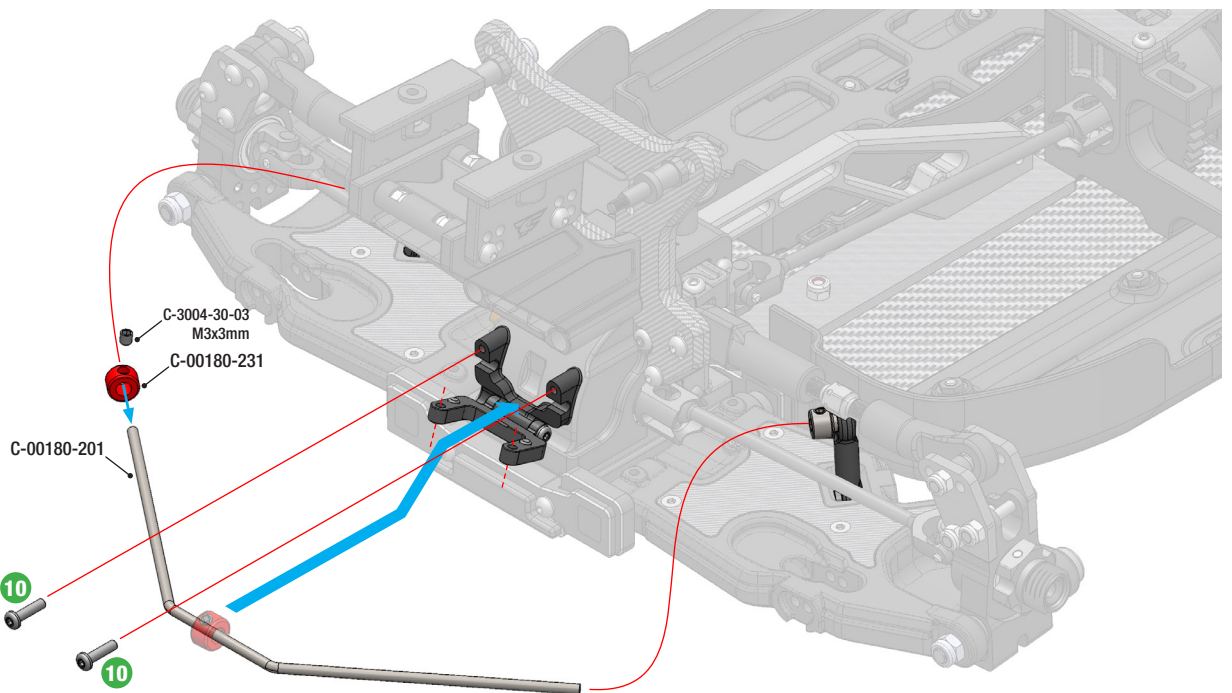


- Screws to be used in case of play in the suspension arm. (not delivered)
- Vis à utiliser en cas de jeu dans le bras de suspension. (Pas fournies)
- Schraube zur Verwendung bei Spiel im Querlenker. (nicht geliefert)
- Schroeven die moeten worden gebruikt bij speling in de ophangingsarm. (niet geleverd)



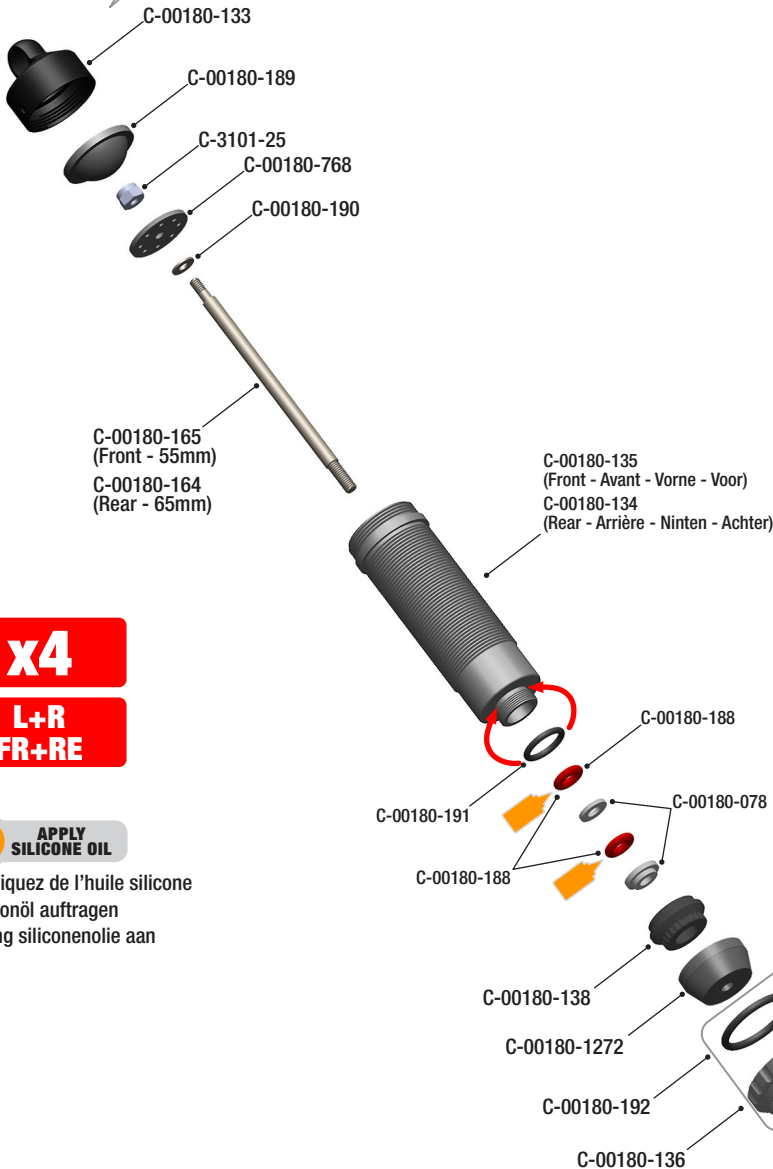
HEX FLAT HEAD SCREWS
DIN 7991 - STEEL - 10 PCS

10 M2.5x10mm
#C-3002-25-10





- Do not overtighten the Shock Cap to prevent deformation of the silicone Shock Bladder.
- Ne serrez pas trop le capuchon de l'amortisseur pour éviter la déformation de la membrane en silicone.
- Ziehen Sie die Dämpferabdeckung nicht zu fest an, um eine Verformung der Silikonmembran zu vermeiden.
- Draai de schokkap niet te strak aan om vervorming van het siliconenmembraan te voorkomen.



C-00180-768 Shock Piston (8pcs)
Shock Piston - **6 Holes 1.4**
Shock Piston - **8 Holes 1.2** (Factory installed)



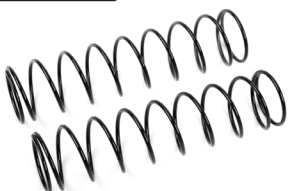
- Place all small parts on a screwdriver (Ø3mm) and push them into the shock body. All parts will be properly aligned.
- Placez toutes les petites pièces sur un tournevis (Ø3mm) et poussez-les dans le corps de l'amortisseur. Toutes les pièces seront correctement alignées.
- Setzen Sie alle Kleinteile auf einen Schraubendreher (Ø3mm) und drücken Sie sie in den Dämpferkörper. Alle Teile werden richtig ausgerichtet.
- Plaats alle kleine onderdelen op een schroevendraaier (Ø3mm) en duw ze in de behuizing van de schokdemper. Alle onderdelen zullen goed uitgelijnd zijn.

x4
L+R
FR+RE

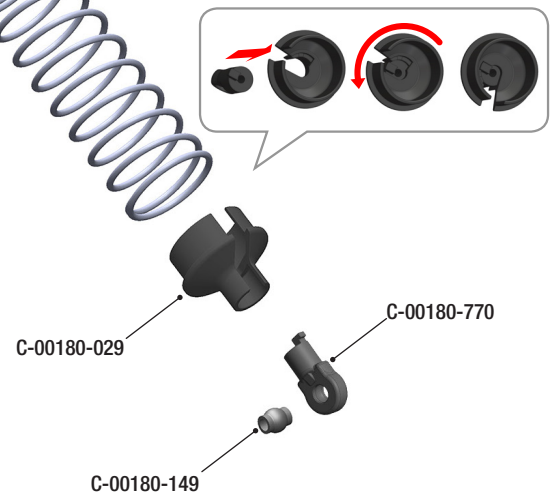
APPLY SILICONE OIL

- Appliquez de l'huile silicone
- Silikonöl auftragen
- Breng siliconenolie aan

OPTION



REF		TYPE	POSITION	THICKNESS	LENGTH
C-00180-289	Shock Spring	SOFT	FRONT	1.4mm	L: 84-86mm
C-00180-290	Shock Spring	MEDIUM	FRONT	1.6mm	L: 84-86mm
C-00180-291	Shock Spring	HARD	FRONT	1.8mm	L: 84-86mm
C-00180-286	Shock Spring	SOFT	REAR	1.4mm	L: 95-97mm
C-00180-287	Shock Spring	MEDIUM	REAR	1.6mm	L: 95-97mm
C-00180-288	Shock Spring	HARD	REAR	1.8mm	L: 95-97mm



Use the special shock absorber pliers for easy installation without damaging the shock absorber shaft.

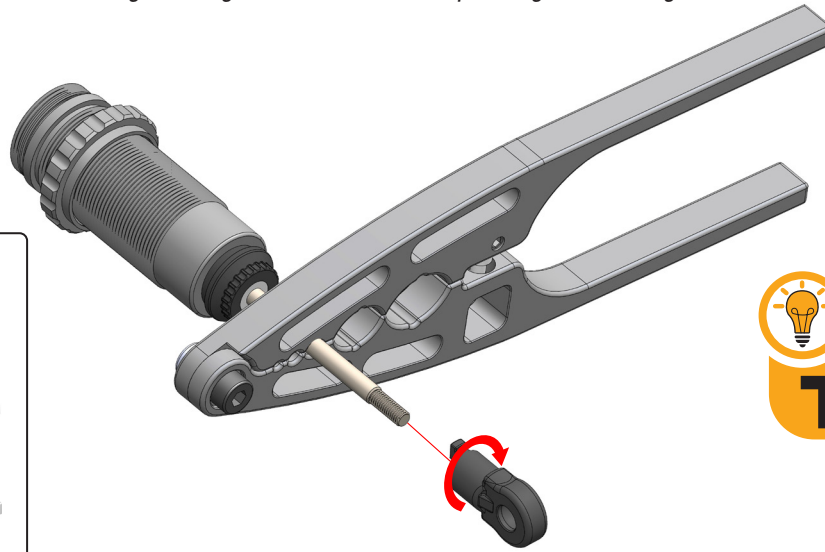
Utilisez la pince spéciale pour amortisseur pour un montage facile et sans risque d'abimer la tige d'amortisseur.

Verwenden Sie die spezielle Stoßdämpferzange für eine einfache Montage, ohne die Stoßdämpferstange zu beschädigen.

Gebruik de speciale schokdemperklem voor eenvoudige montage zonder de schokdemperstang te beschadigen.



C-16300 - Shock Pliers

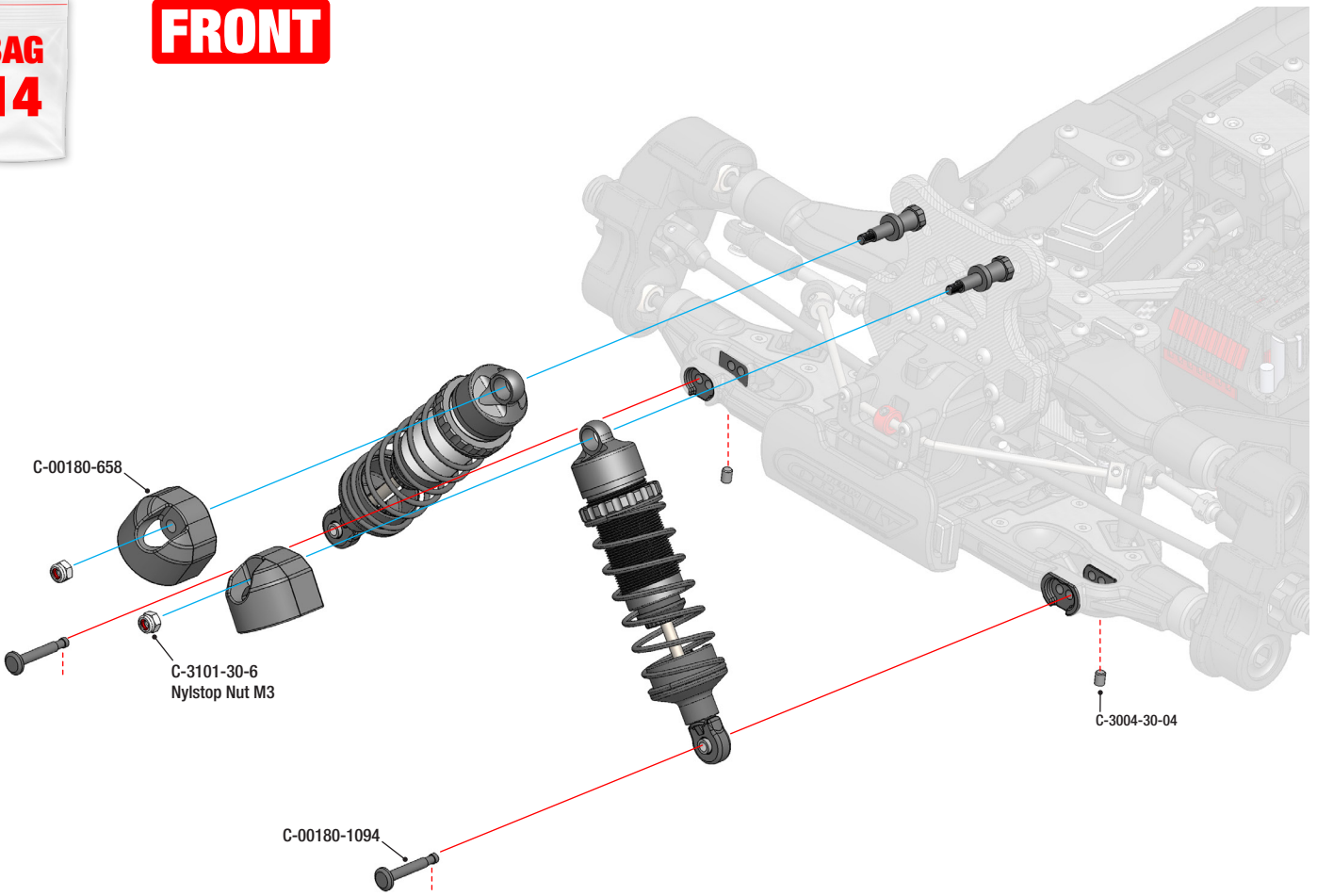


ALWAYS USE SILICONE OIL, NEVER USE ANY OTHER TYPES OF OIL.

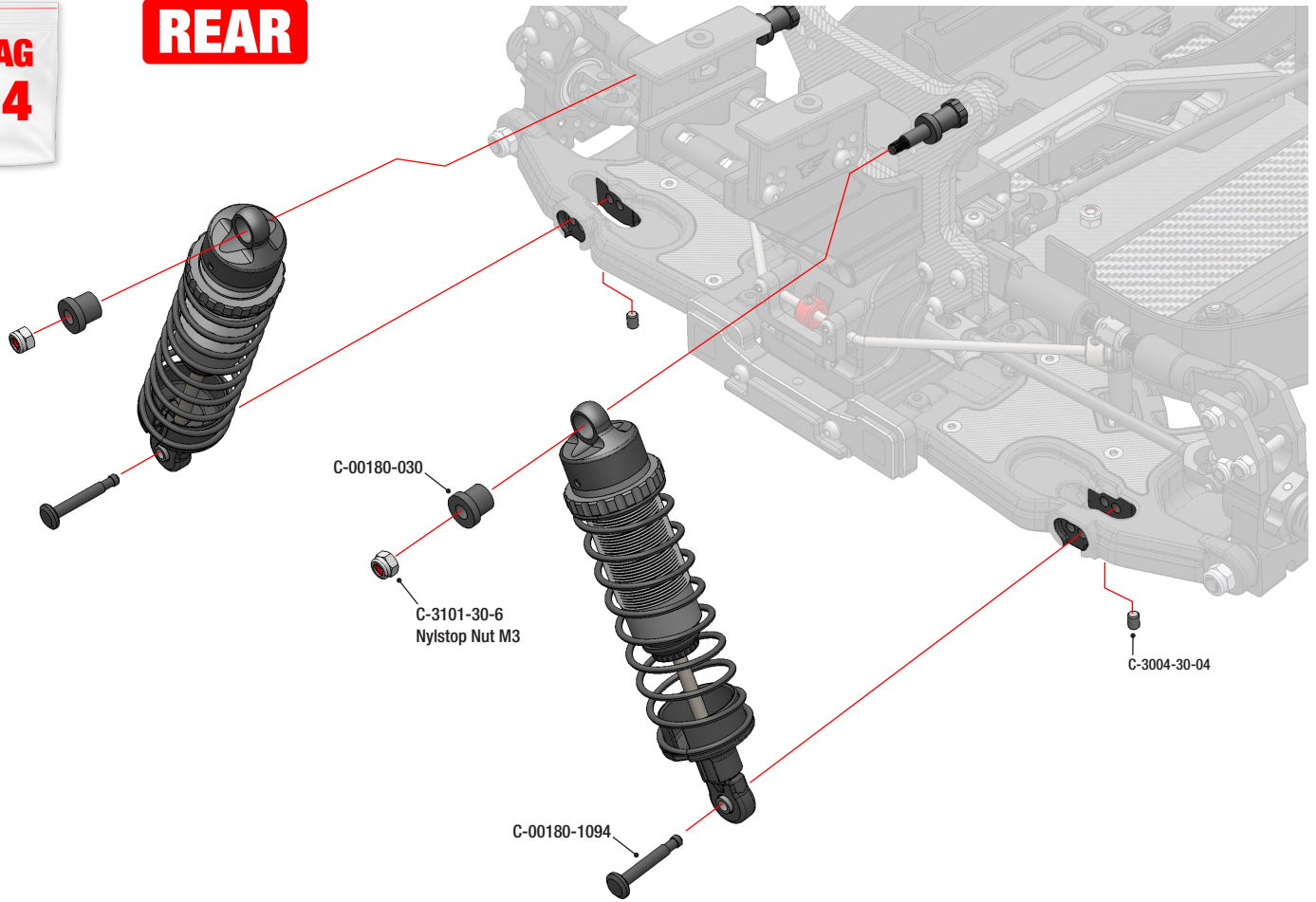
FILL	MOVE UP	WAIT	TIGHTEN 50%	MOVE UP	TIGHTEN FULLY
<ul style="list-style-type: none"> • Fill the shock with silicone oil. • Remplissez l'amortisseur avec de l'huile de silicone. • Füllen Sie den Dämpfer mit Silikonöl. • Vul de schokdemper met siliconenolie. 	<ul style="list-style-type: none"> • Move the piston up&down (3-4x) to release the air bubbles in the silicone oil. • Déplacez le piston de haut en bas (3-4x) pour libérer les bulles d'air. • Bewegen Sie den Kolben nach oben&unten (3-4x), um die Luftblasen abzulassen. • Beweeg de zuiger op en neer (3-4x) om de luchtbelleten te laten ontsnappen. 	<ul style="list-style-type: none"> • Pull the Shock shaft down and wait until the bubbles rise to the surface. • Tirez la tige d'amortisseur vers le bas et attendez que les bulles remontent à la surface. • Ziehen Sie die Schockwelle nach unten und warten Sie, bis die Blasen an die Oberfläche steigen. • Trek de Schokas naar beneden en wacht tot de luchtballen naar de oppervlakte stijgen. 	<ul style="list-style-type: none"> • Screw in the shock absorber cap at 50%. • Vissez le bouchon d'amortisseur à 50% • Schrauben Sie die Stoßdämpferkappe zu 50 % ein. • Schroef de dop van de schokdemper op 50%. 	<ul style="list-style-type: none"> • Gently move the piston in upper position, the oil excess will flow out. • Déplacez doucement le piston en position haute, l'excédent d'huile s'écoulera. • Bewegen Sie den Kolben vorsichtig in die obere Position, das überschüssige Öl fließt dann heraus. • Beweeg de piston langzaam in de bovenste positie, de overtollige olie zal eruit stromen. 	<ul style="list-style-type: none"> • Now tighten the cap fully but not too much otherwise the membrane will be deformed. • Maintenant, serrez le bouchon à fond, mais pas trop, sinon la membrane sera déformée. • Ziehen Sie nun die Kappe vollständig, aber nicht zu fest an, da sonst die Membran verformt wird. • Draai nu de dop helemaal vast, maar niet te vast, anders wordt het membraan vervormd.



FRONT

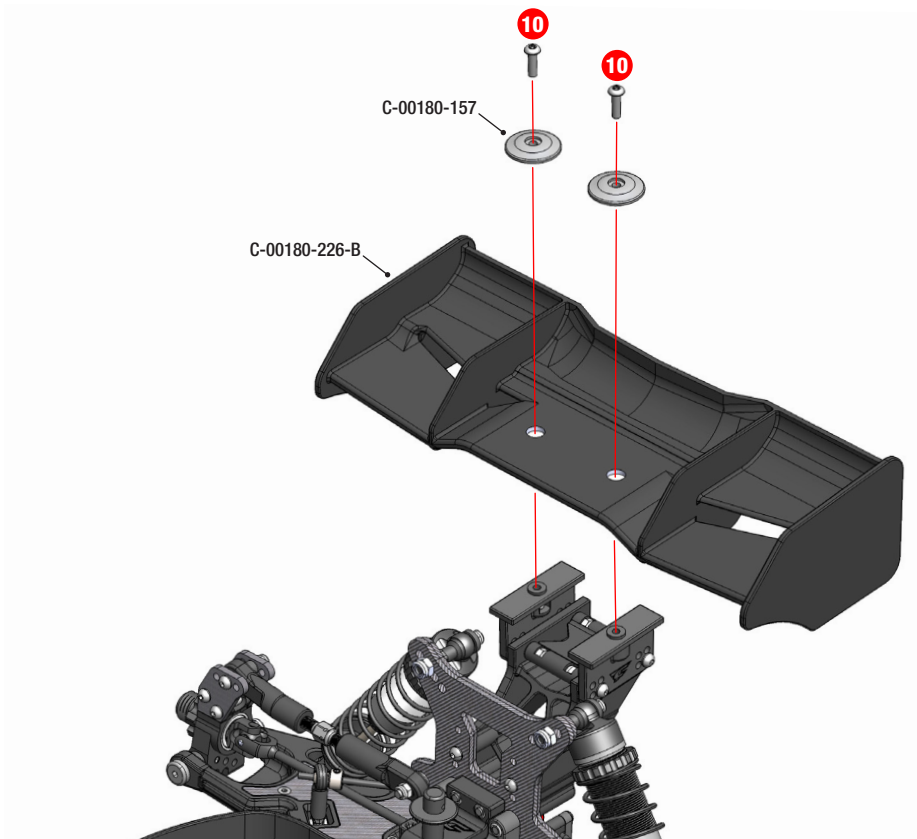


REAR



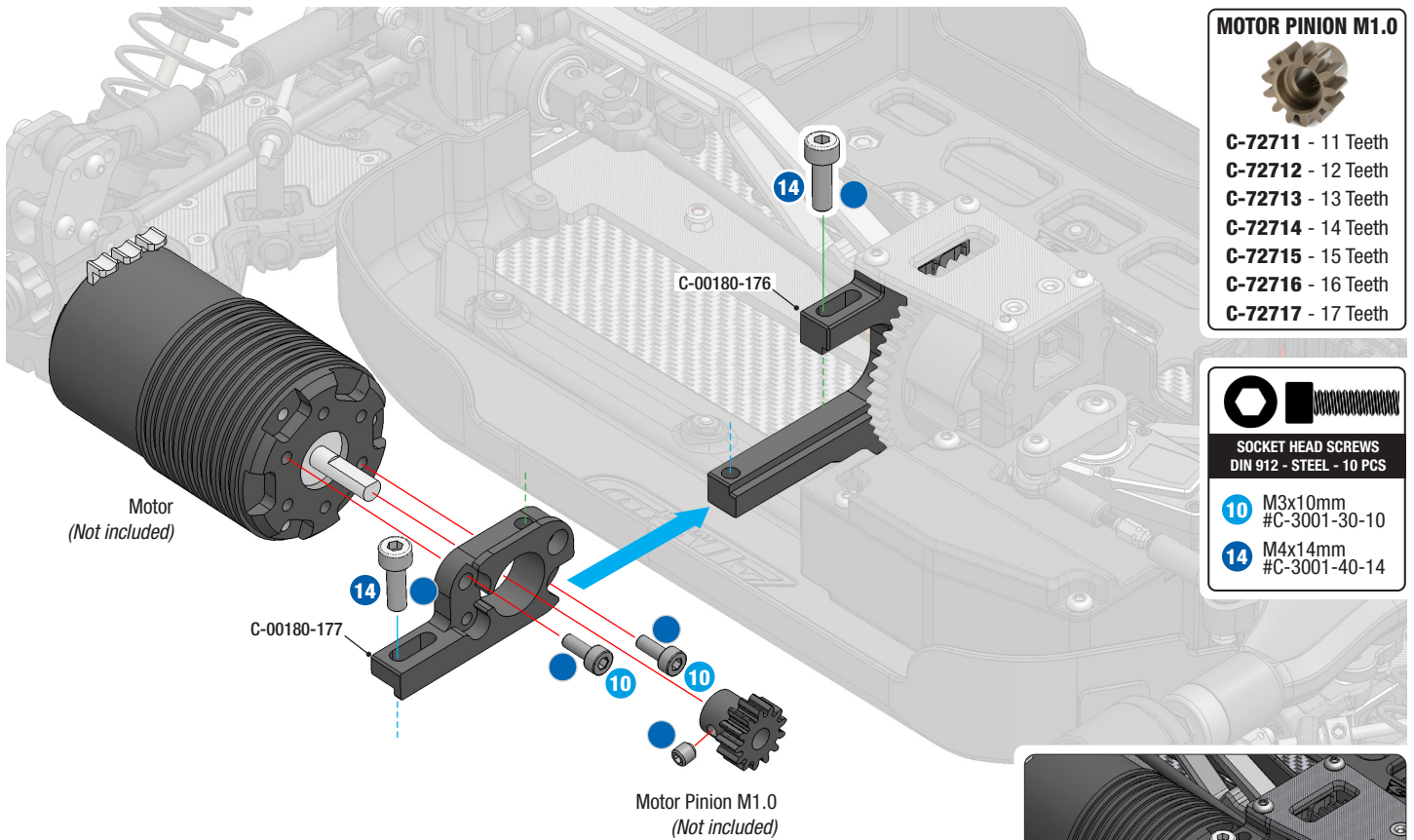


**BAG
14**



HEX BUTTON HEAD SCREWS
DIN 7380 - STEEL - 10 PCS

10 M3x10mm
#C-3003-30-10



MOTOR PINION M1.0

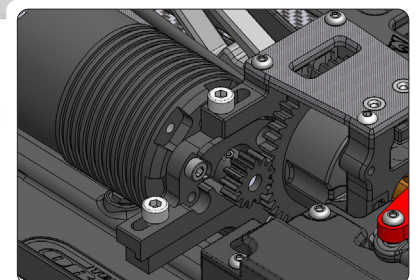
- C-72711 - 11 Teeth
- C-72712 - 12 Teeth
- C-72713 - 13 Teeth
- C-72714 - 14 Teeth
- C-72715 - 15 Teeth
- C-72716 - 16 Teeth
- C-72717 - 17 Teeth

SOCKET HEAD SCREWS
DIN 912 - STEEL - 10 PCS

- 10** M3x10mm
#C-3001-30-10
- 14** M4x14mm
#C-3001-40-14

Apply **CORALLY
LOCK-IT 100**

C-13094





If the gear mesh is not correct, you wear out the spur gear prematurely, the transmission will make noise, give unnecessary load on the motor (higher consumption, heating of the transmission).



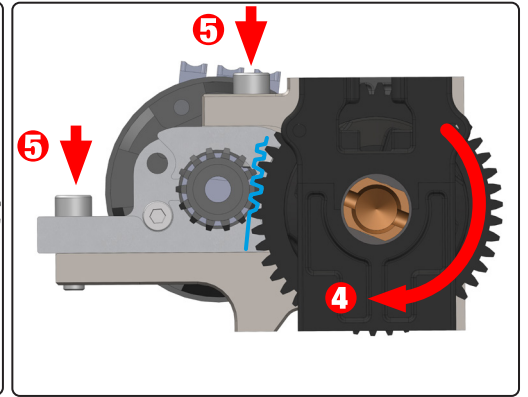
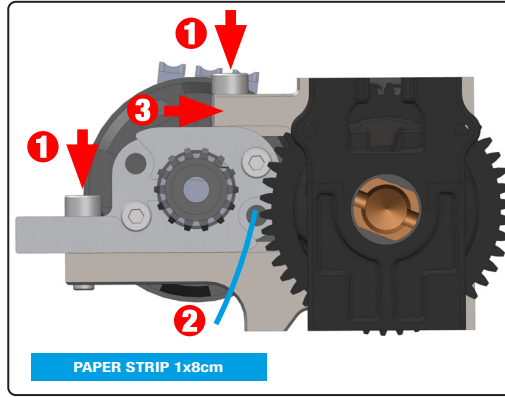
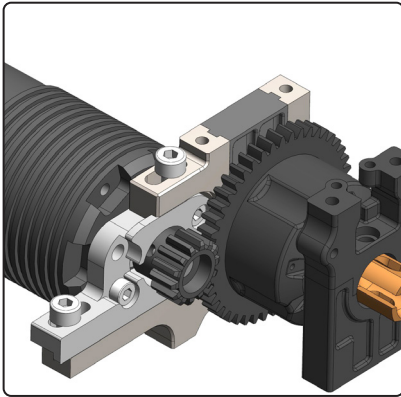
Si l'espace entre le pignon et la couronne n'est pas correct, la couronne dentée s'use prématurément, la transmission fait du bruit et le moteur est inutilement sollicité (consommation plus élevée, échauffement de la transmission).



Wenn der Abstand zwischen Ritzel und Tellerrad nicht stimmt, verschleißt das Zahnrad vorzeitig, das Getriebe macht Geräusche und der Motor wird unnötig belastet (höherer Verbrauch, Erwärmung des Getriebes).



Als de afstand tussen het tandwiel en de recht tandwiel niet correct is, slijt de recht tandwiel voortijdig, maakt de transmissie lawaai en wordt de motor onnodig belast (hogere verbruik, verhitting van de transmissie).



1. Loosen the screws.

Desserrez les vis.
Lösen Sie die Schrauben.
Draai de schroeven los.

2. Insert the paper strip.

Insérez la bande de papier.
Legen Sie den Papierstreifen ein.
Plaats de papierstrook.

3. Push the motor against the spur gear.

Poussez le moteur contre la couronne dentée.
Schieben Sie den Motor gegen das Zahnrad.
Duw de motor tegen het recht tandwiel.

4. Turn the spur gear to run the paper through the teeth.

Stop when the paper is in the middle.
Make sure that the motor pinion is against the spur gear.

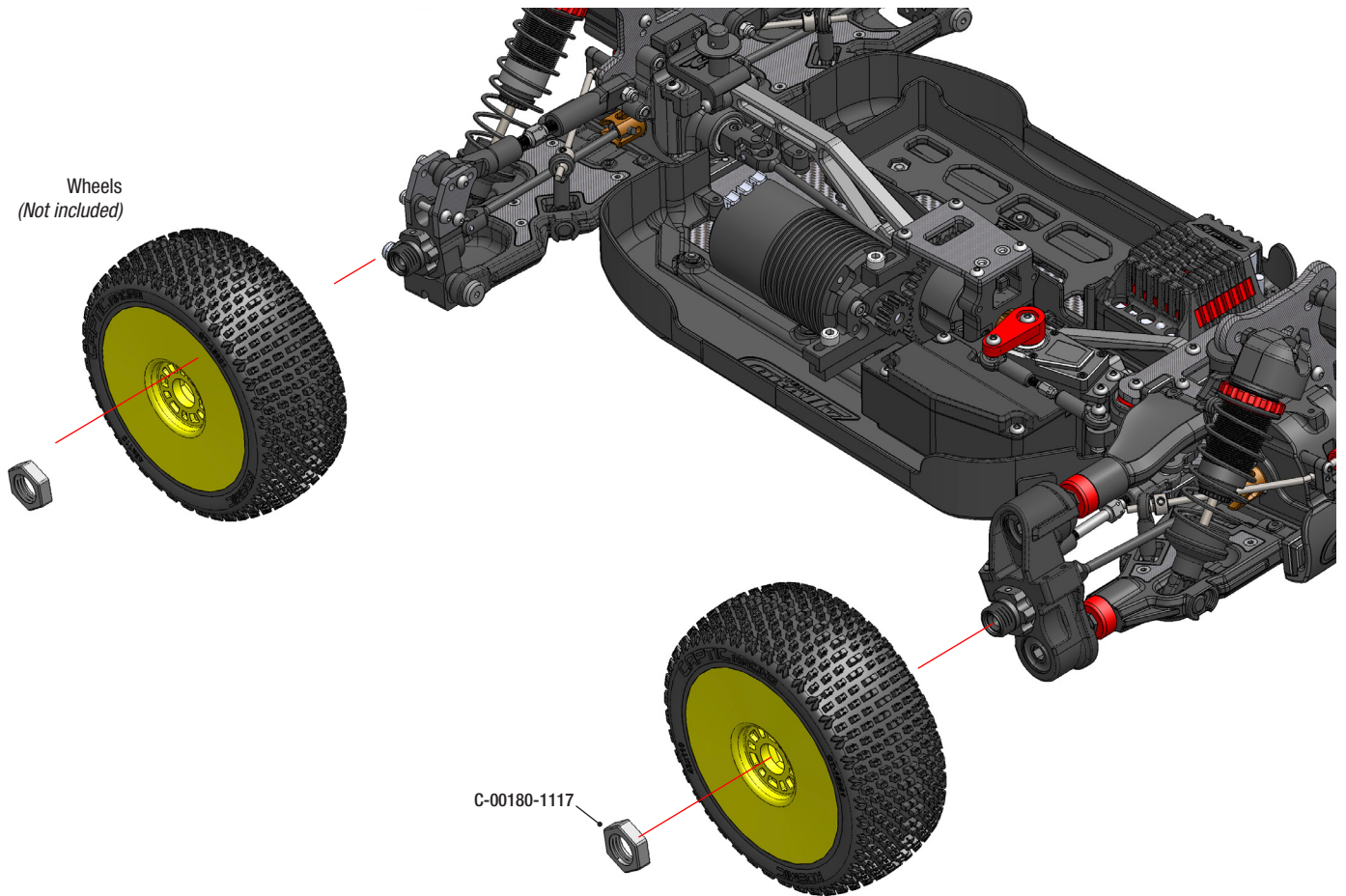
Tournez la couronne dentée pour faire passer le papier entre les dents.
Arrêtez lorsque le papier est au milieu.
Assurez-vous que le pignon du moteur est contre la couronne dentée.

Drehen Sie das Hauptzahnrad, um das Papier durch die Zähne zu führen.
Halten Sie an, wenn sich das Papier in der Mitte befindet.
Achten Sie darauf, dass das Motorritzel am Hauptzahnrad anliegt.

Draai aan het rechte tandwiel om het papier door de tanden te laten lopen.
Stop wanneer het papier in het midden is.
Zorg ervoor dat het motortandwiel tegen het rechte tandwiel staat.

5. Maintain and tighten the fixing screws.

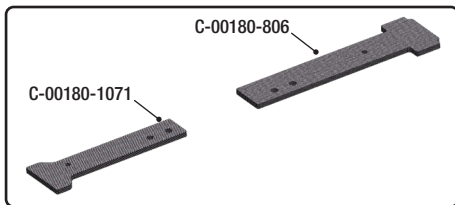
Maintenez et serrez les vis de fixation.
Halten Sie die Befestigungsschrauben fest und ziehen Sie sie an.
De bevestigingsschroeven aanhouden en vastdraaien.



Recommended Tyres - Pneus recommandés - Empfohlene Reifen - Aanbevolen banden

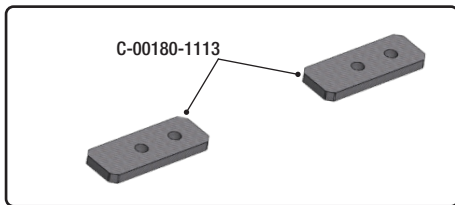
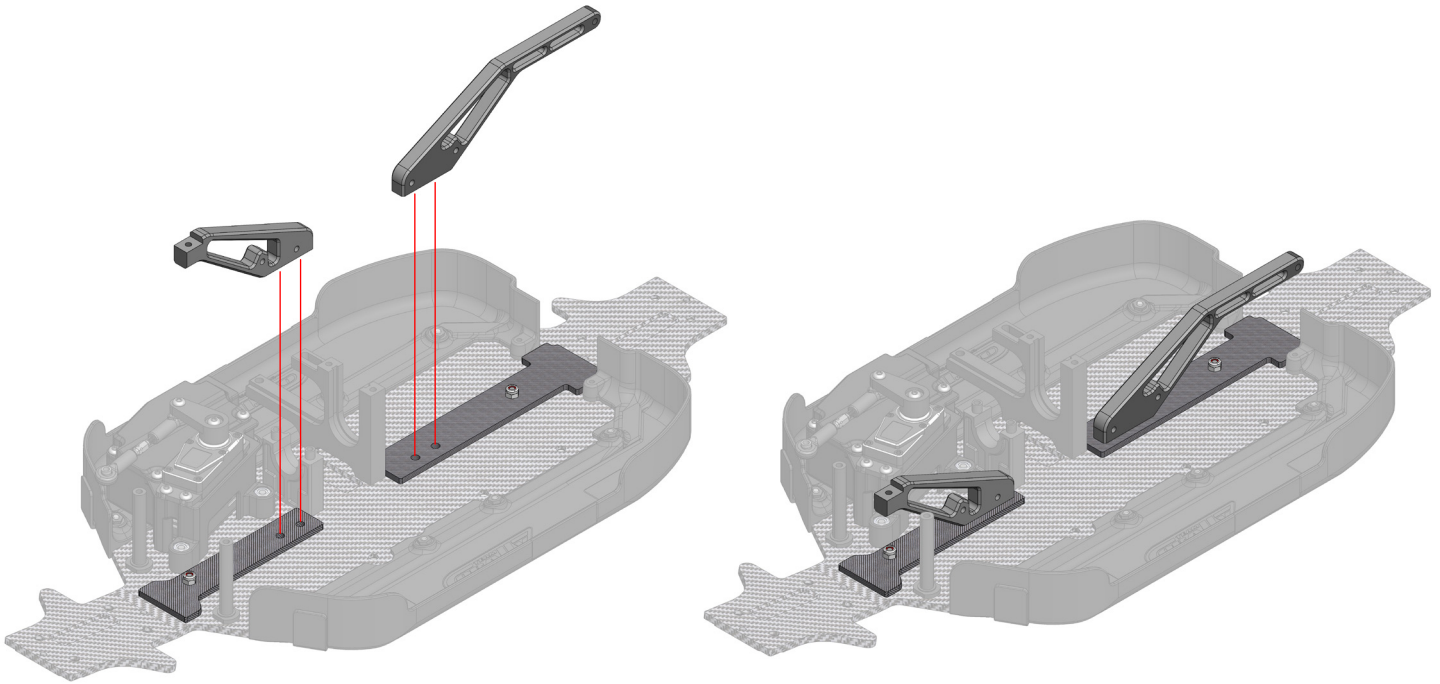
CAPTIC RACING		1/8 OFF ROAD BUGGY				TYRE CHART	
DISTRIBUTED BY TEAM ORALLY		TRACTION LEVELS					
TREAD TYPE	PART NUMBER	Loose Loamy	Muddy	Hard Pack w/ Dust	Hard Pack w/o Dust	Indoor Clay	Blue Groove / Sugar
KOSMIC	CT-15001 - (1 / 2 / 3 / 4)	★ ★ ★	★ ★ ★	★ ★ ★	★ ★ ★	★ ★ ★	★ ★ ★
TRACER	CT-15001 - (1 / 2 / 3 / 4)	★ ★ ★	★ ★ ★	★ ★ ★	★ ★ ★	★ ★ ★	★ ★ ★
ZONDA XTR	CT-15001 - (1 / 2 / 3 / 4)	★ ★ ★	★ ★ ★	★ ★ ★	★ ★ ★	★ ★ ★	★ ★ ★
S-CODE	CT-15001 - (1 / 2 / 3 / 4)	★ ★ ★	★ ★ ★	★ ★ ★	★ ★ ★	★ ★ ★	★ ★ ★

LEGEND	TIRE COMPOUND	AVAILABLE WITH
★ ★ ★ EXCELLENT	MEDIUM over 20°C	<p>WHITE RIM YELLOW RIM</p>
★ ★ ★ GOOD	MEDIUM SOFT 15-25°C	
★ ★ ★ FAIR	SOFT 10-18°C	
★ ★ ★ NOT RECOMMENDED	SUPER SOFT 0-12°C	



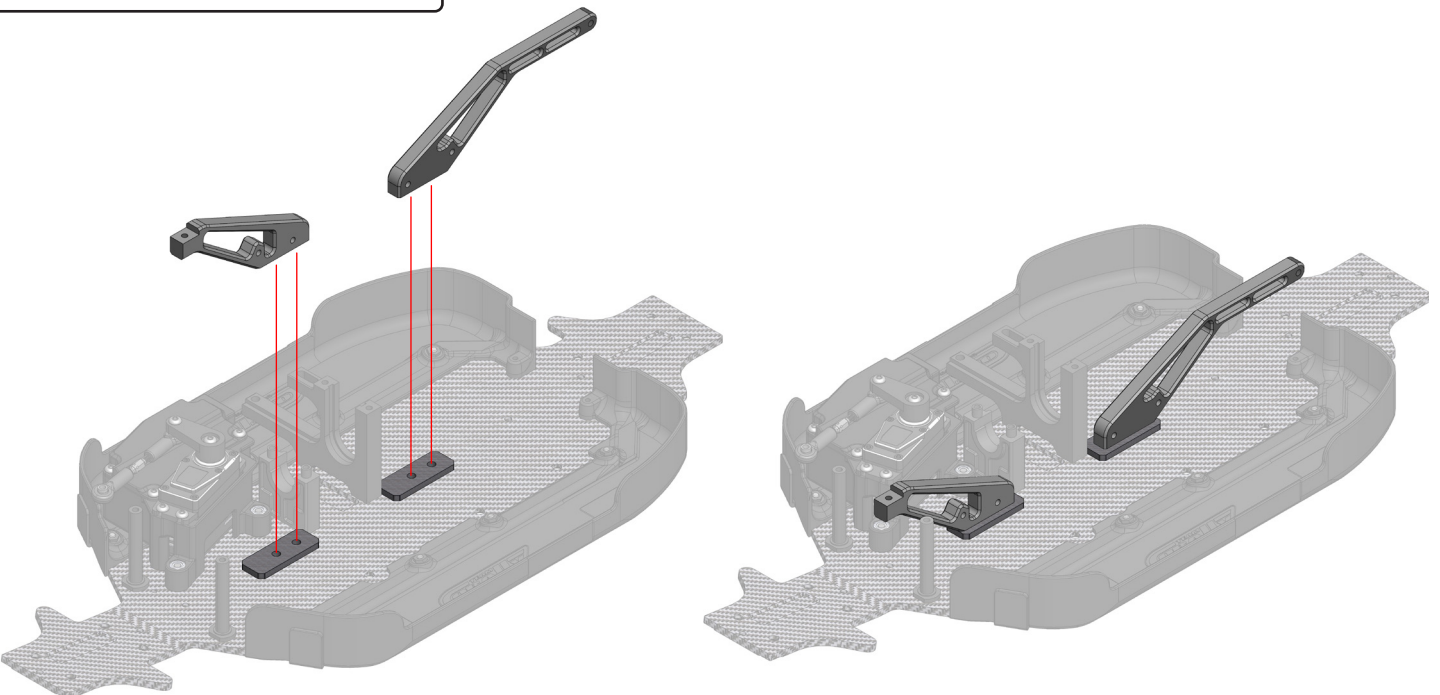
Long stiffeners = stiffer chassis.

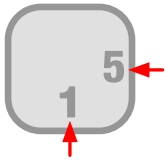
Raidisseurs Longs = Châssis plus rigide.
Lange Versteifungen = steiferes Fahrgestell.
Lange verstijvers = stijver chassis.



Short stiffeners = softer chassis.

Raidisseurs Courts = Châssis plus souple.
Kurze Versteifungen = weiches Fahrwerk.
Korte verstijvers = zachter chassis.





THE NUMBER INDICATES THE VALUE AND THE HOLE POSITION
1=1°, 5=0,5°

LE CHIFFRE INDIQUE LA VALEUR EN DEGRÉ ET LA POSITION DE L'ORIFICE
 DE PUNT GEEFT DE POSITIE EN DE WAARDE IN (°) VAN HET GAT AAN
 DER PUNKT ZEIGT DIE POSITION UND DEN WERT IN (°) DES LOCHS AN

***FACTORY SETTINGS = 0°**



*Réglage d'usine : 0°. • Fabrieksinstelling 0° • Werkseinstellung 0°


TOE ANGLE

Insert RF	Lower Suspension Arm Holder RF		Lower Suspension Arm Holder RR		Value	Insert RR
0°					3°	0°
					3,5°	0,5° Outer
					2,5°	0,5° Outer
					4°	1° Outer
					2°	1° Inner
0,5° Outer					2,5°	0°
					3°	0,5° Outer
					2°	0,5° Outer
					3,5°	1° Outer
					1,5°	1° Inner
0,5° Inner					3,5°	0°
					4°	0,5° Outer
					3°	0,5° Outer
					4,5°	1° Outer
					2,5°	1° Inner
1° Outer					2°	0°
					2,5°	0,5° Outer
					1,5°	0,5° Outer
					3°	1° Outer
					1°	1° Inner
1° Inner					4°	0°
					4,5°	0,5° Outer
					3,5°	0,5° Outer
					5°	1° Outer
					3°	1° Inner



ANTI-SQUAT ANGLE

Insert RF	Lower Suspension Arm Holder RF		Lower Suspension Arm Holder RR		Value	Insert RR
0°					3°	0°
					2,5°	0,5° Upper
					3,5°	0,5° Lower
					2°	1° Upper
					4°	1° Lower
0,5° Upper					3,5°	0°
					3°	0,5° Upper
					4°	0,5° Lower
					2,5°	1° Upper
					4,5°	1° Lower
0,5° Lower					2,5°	0°
					2°	0,5° Upper
					3°	0,5° Lower
					1,5°	1° Upper
					3,5°	1° Lower
1° Upper					4°	0°
					3,5°	0,5° Upper
					4,5°	0,5° Lower
					3°	1° Upper
					5°	1° Lower
1° Lower					2°	0°
					1,5°	0,5° Upper
					2,5°	0,5° Lower
					1°	1° Upper
					3°	1° Lower

ROLL CENTER

Insert	Lower Suspension Arm Holder RF / RF		Lower Suspension Arm Holder RR / FF		Value	Insert
0°					0mm	0°
0,5° Upper					(+)0,56mm	0,5° Upper
0,5° Lower					(-)0,56mm	0,5° Lower
1° Upper					(+)1,12mm	1° Upper
1° Lower					(-)1,12mm	1° Lower

TOTAL WIDTH

			0mm			
			(+) 0,56mm			
			(+)1,12mm			
			(-)0,56mm			
			(-)1,12mm			



C-00180-004
Battery - ESC Tray - Composite
- 1 pc



C-00180-004-1
Battery Strap - Hook & Loop
- 2 pcs



C-00180-005-2
Wing Mount - Adjustable -
Composite - 1 Set



C-00180-009-1
HD Steering Block - Pillow Ball
Cup - Front - Composite - 1 Set



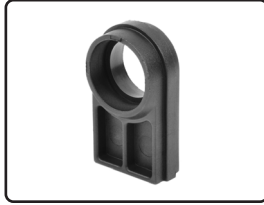
C-00180-018
Centre Diff Bulkhead - Compos-
ite - 1 Set



C-00180-020
Gearbox Brace Mount A - Rear -
Composite - 1 pc



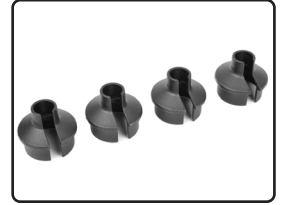
C-00180-021
Gearbox Brace Mount Stiffener
- Composite - 1 pc



C-00180-023
Motor Mount Centre Diff Insert -
Composite - 1 pc



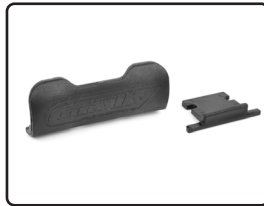
C-00180-024
Body Post - Composite - 2 pcs



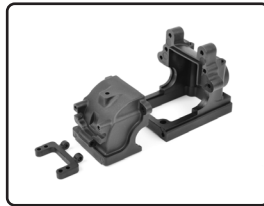
C-00180-029
Shock Spring Cup - Composite
- 4 pcs



C-00180-030
Shock Bushing - Composite -
4 pcs



C-00180-032
Bumper - Front - Rear - Com-
posite - 1 set



C-00180-033
Gearbox Case Set - Composite
- 1 Set



C-00180-036
Steering Bellcrank - Parts A-B-C
- Composite - 1 Set



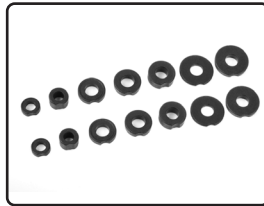
C-00180-039
Steering Ball Joint - Composite
- 1 set



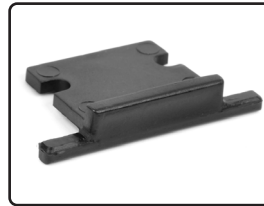
C-00180-041
Rear Camber Ball Joint - Outer
- Inner - 1 set



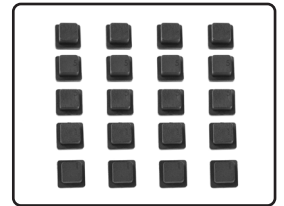
C-00180-044
Ball Joint 6mm - Composite -
2 pcs



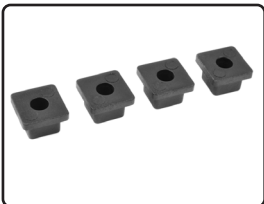
C-00180-055
Suspension Arm Shim - Com-
posite - 1 Set



C-00180-045
Bumper Spacer - Front - Rear
- 1pc



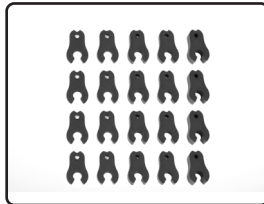
C-00180-046
Eccentric Bushings Set - Com-
posite - 1 Set



C-00180-048
Eccentric Bushings Set -
Composite - 1 Set



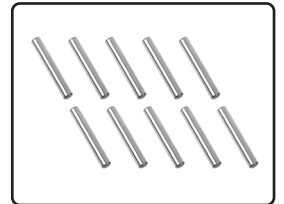
C-00180-089
Anti-Roll Bar Ball Cups - Com-
posite - 4 pcs



C-00180-109
Caster Clips Set - 1 to 4.5mm
- 1 Set



C-00180-117-T
Pivot Ball Adjusting Nut - Alu-
minium - 4 pcs



C-00180-122
Pin 2.5x17mm - Steel - 10 pcs



C-00180-127
Hinge Pin - Outer - Steel - 2 pcs



C-00180-128-3
Turnbuckle - M4 - 50mm -
Spring Steel - 2 pcs



C-00180-129-3
Turnbuckle - M3 - 35mm -
Spring Steel - 2 pcs



C-00180-139
Suspension Arm Mount PRO -
FR-FR - Aluminium 7075 - 1 pc



C-00180-140
Suspension Arm Mount PRO -
FR-RE - Aluminium 7075 - 1 pc



C-00180-141
Suspension Arm Mount PRO -
RE-FR - Aluminium 7075 - 1 pc



C-00180-142
Suspension Arm Mount PRO -
RE-RE - Aluminium 7075 - 1 pc



C-00180-145-2
Servo Saver Shaft w/ Nut -
Aluminium - 1 set



C-00180-148
Shock Screw - Steel - 4 pcs



C-00180-149
Ball - 5.8mm - Steel - 4 pcs



C-00180-150
Ball Shouldered - 6.8mm - Steel
- 4 pcs



Lightweight

C-00180-157
Wing Washer - Lightened -
Aluminium - 2 pcs



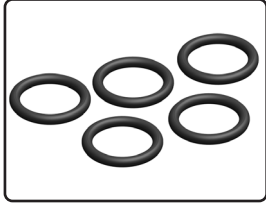
C-00180-171
Threaded Ball - 6mm - Steel -
2 pcs



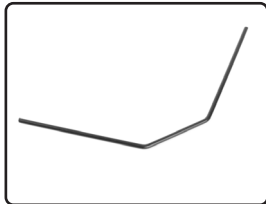
C-00180-176
Motor Bulkhead - Aluminium
- 1 pc



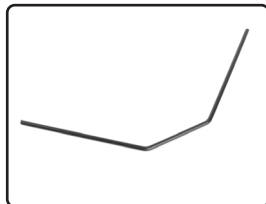
C-00180-177
Motor Mount - Aluminium - 1 pc



C-00180-191
O-Ring - Silicone - 9x12mm
- 5 pcs



C-00180-195
Anti-Roll Bar - 2.6mm - Front
- 1 pc



C-00180-201
Anti-Roll Bar - 2.6mm - Rear
- 1 pc



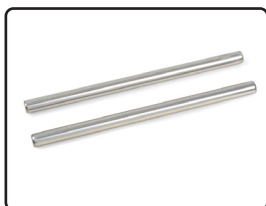
C-00180-206
Steering Rack Bushing - Steel
- 2 pcs



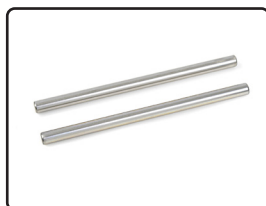
C-00180-207
Steering Block Arms - Aluminium
- 2 pcs



C-00180-216
Servo Saver Spring - 1 pc



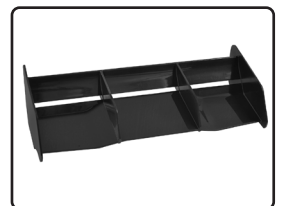
C-00180-218
Suspension Arm Pivot Pin - Low-
er Inner - FR/RE - 65mm - 2 pcs



C-00180-219
Suspension Arm Pivot Pin - Upper
- Front - Steel - 40.8mm - 2 pcs



C-00180-220
Ball End 5.8mm - for Anti Roll
Bar - Steel - 4 pcs



C-00180-1358
Wing - Composite - Black - 1 pc



C-00180-231-T
Collar - for Anti-roll Bar - Alu-
minium - 1 pc



C-00180-242
Side Guards - Left-Right - Com-
posite - 1 Set



C-00180-266
Servo Saver Steering Arm -
7075 T6 - Black - 1 pc



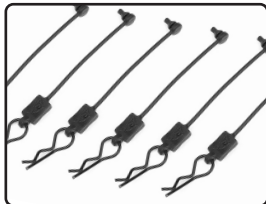
C-00180-293
Ball 6.8mm - Steel - 4 pcs



C-00180-372-B
Servo Arm - Steering - Alu -
1 pc



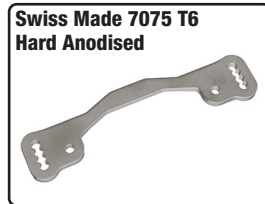
C-00180-532-T
HDA Susp. Arm Insert - Outer -
Spacer 1.5mm - Alu. - Red - 2 pcs



C-00180-614
Body Clip Retainer w/ Body clip
- Black - 6 pcs



C-00180-658
Shock absorber cover -
Black - 4 pcs

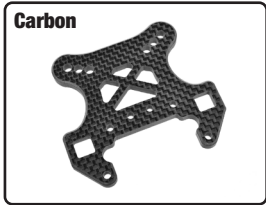


**Swiss Made 7075 T6
Hard Anodised**

C-00180-704-T
Steering Rack - Swiss Made
7075 T6 - 3mm - 1 pc



C-00180-739
Steering Deck Holder - w/ Body
Post - Composite - 1 pc



Carbon

C-00180-779
Shock Tower - 5mm - Carbon -
Buggy Front - 1 pc



Carbon

C-00180-780
Center Diff Plate - 3mm - Car-
bon - 1 pc



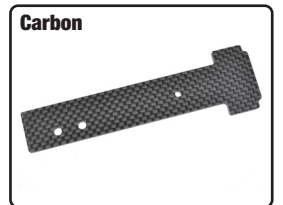
Carbon

C-00180-800
Shock Tower - 5mm - Carbon -
Buggy REAR - 1 pc



Carbon

C-00180-801
Steering Deck - XTR - 3mm -
Carbon - Black - 1 Pc

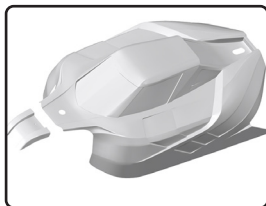


Carbon

C-00180-806
Steering Deck - XTR - 3mm -
Carbon - Black - 1 Pc



C-00180-831
Steering Rack - Dual Stiffener -
Aluminium - 1 Pc



C-00180-847
Body - Buggy - Clear - 1 pc



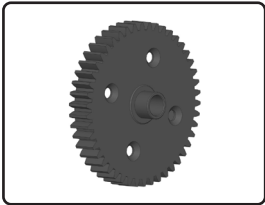
C-00180-894
Wing Support - Left - Right -
Composite - 1 Set



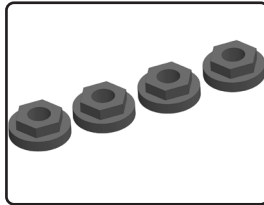
C-00180-997
Servo Mount - Receiver Box -
Composite - 1 Set



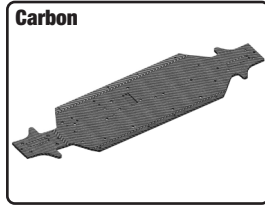
C-00180-1015
Servo Saver Post - Steel - 2 pcs



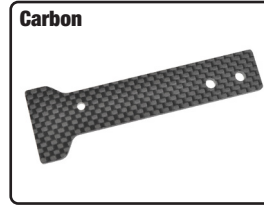
C-00180-1022
Spur Gear 46T - Composite -
1 pc



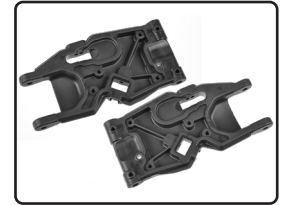
C-00180-1052
Side Guard Nut M3 - Alu.



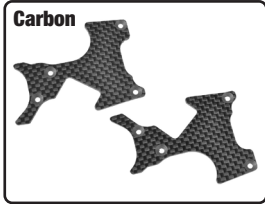
Carbon
C-00180-1070
Chassis Buggy - Carbon 3.5mm
- 1pc



Carbon
C-00180-1071
Chassis Stiffener Front - Carbon
3mm - 1pc



C-00180-1072
Rear Arm - Left & Right -
Composite 1pc



Carbon
C-00180-1074
Rear Arm Stiffener Plate-Left &
Right - Carbon 2mm - 1 set



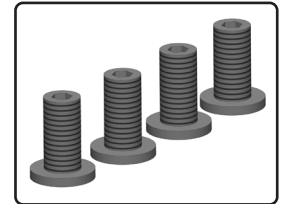
C-00180-1076
Front Lower Arm - Left & Right
- Composite 1 set



Carbon
C-00180-1078
Front Arm Stiffener Plate- Left &
Right - Carbon 2mm - 1 set



C-00180-1080
Front Upper Arm - Left & Right -
Composite 1 set



C-00180-1086
Stop Screw - Steel - 2 pcs



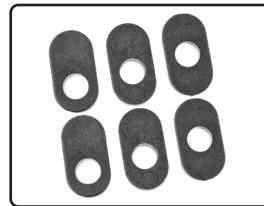
C-00180-1088
Ball Bearing Insert - Composite
- 8 pcs



C-00180-1089
Rear Hub - Aluminium 7075
- 1pc



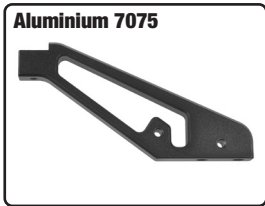
Carbon
C-00180-1090
Rear Hub Side Plate - Carbon
- 2pcs



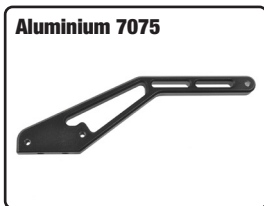
C-00180-1091
Rear Hub Insert - A/B/C -
Composite - 1 set



C-00180-1094
Shock absorber mounting
screw - Steel - 4pcs



Aluminium 7075
C-00180-1095
Chassis Stiffener Front - Alu-
minium - 1pc



Aluminium 7075
C-00180-1096
Chassis Stiffener Rear - Alumin-
ium - 1pc



Aluminium
C-00180-1097
Wheel Axle - Aluminium - 2pcs



C-00180-1098
Universal Joint Drive Shaft -
Rear - 1 pc



C-00180-1105
Front Universal Joint - Steel
- 1pc



C-00180-1107
Centre Rear Universal Joint -
Steel - 1pc



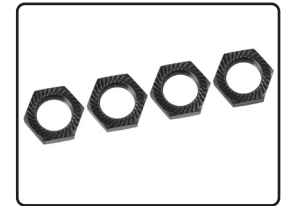
C-00180-1111
Centre Front Universal Joint -
Steel - 1pc



Carbon
C-00180-1113
Chassis Stiffener Spacer -
Carbon - FR&RE - 2pcs



C-00180-1115
Pivot Ball - Steel + Aluminium
- 1 set



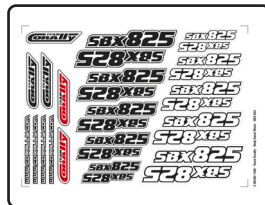
C-00180-1117
Wheel Nut - Aluminium - 4pcs



**Aluminium 7075 T6
Hard Anodised**
C-00180-1255
Chassis Buggy - Aluminium
3mm - Titanium - 1pc



Spring Steel
C-00180-1270
Turnbuckle - M5 - 45mm -
Spring Steel - 2 pcs



C-00180-1359
Body Decal Sheet - SBX-825
- 1 pc

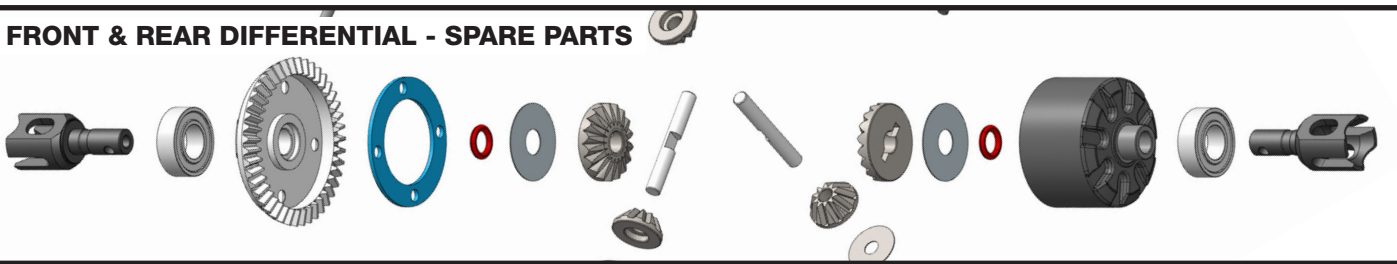


C-3611-3-06-10-03
Ball Bearing - Abec 3 - 6x10x3
- 2 pcs



C-3611-3-08-16-05
Ball Bearing - Abec 3 - 8x16x5
- 2 pcs

FRONT & REAR DIFFERENTIAL - SPARE PARTS



C-00180-179
Planetary Diff. Gears - Steel -
1 Set



C-00180-184
Gear Diff Pin - 3.5x26.8mm -
Steel - 2 pcs



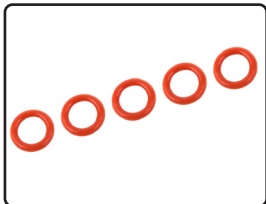
C-00180-205
Diff. Outdrive Pin - 2x11,8mm -
Steel - 4 pcs



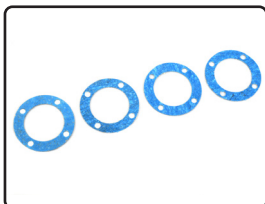
C-00180-098
Diff Case - FR-RE - Composite
- 1 pc



C-00180-1104
PRO Diff. Outdrive Cup - Swiss
Spring Steel - 2 pcs



C-00180-182
O-Ring - Silicone - 5x8mm -
5 pcs



C-00180-183
Diff. Gasket - 4 pcs



C-00180-156
Bevel Pinion 13T - CNC Cut-
Steel - 1 pc

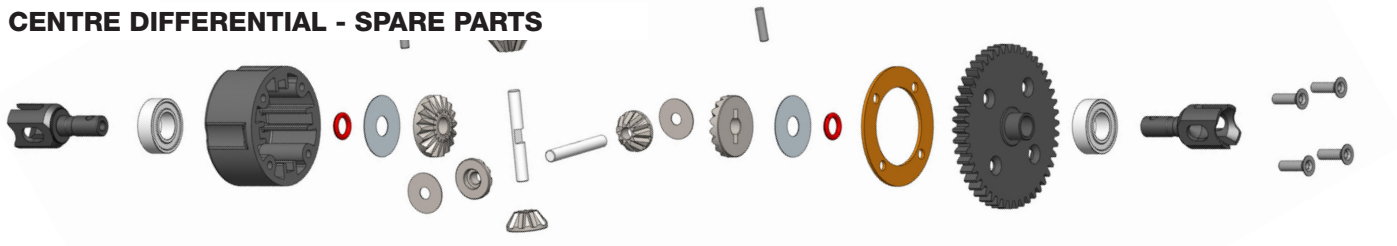


Lightweight
C-00180-1112
Diff Bevel Gear 43T - Light-
weight - Steel - 1pc



C-3611-3-08-16-05
Ball Bearing - Abec 3 - 8x16x5
- 2 pcs

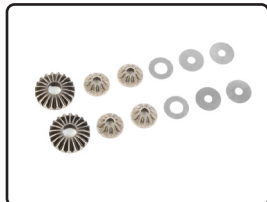
CENTRE DIFFERENTIAL - SPARE PARTS



C-00180-090-2
Diff Case - Centre - Composite



C-00180-091
Spur Gear 46T - CNC Machined
- Steel - 1 pc



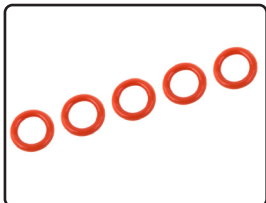
C-00180-179
Planetary Diff. Gears - Steel -
1 Set



C-00180-684
Gear Diff Pin - 3.5x29.8mm -
Steel - 2 pcs



C-00180-183-1
Central Diff. Gasket - 4 pcs



C-00180-182
O-Ring - Silicone - 5x8mm -
5 pcs



C-00180-1104
PRO Diff. Outdrive Cup - Swiss
Spring Steel - 2 pcs

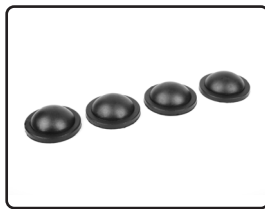


C-3611-3-08-16-05
Ball Bearing - Abec 3 - 8x16x5
- 2 pcs

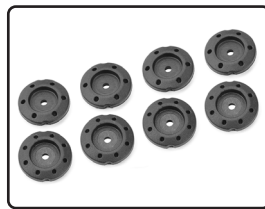
SHOCK ABSORBER - SPARE PARTS



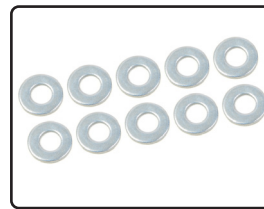
C-00180-133
Shock Cap - Aluminium - Hard Anodised - 2 pcs



C-00180-189
Shock Bladders - Silicone - 4 pcs



C-00180-768
Shock Piston Heavy Duty - 4mm thick - 8x1.2 + 6x1.4 - 1 Set



C-00180-190
Shock Washer - 2.5x6x0.5mm - Steel - 10 pcs



C-00180-164
Shock Shaft - 65mm - Rear - 2 pcs



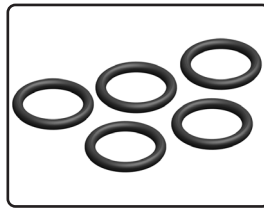
C-00180-165
Shock Shaft - 55mm - Front - 2 pcs



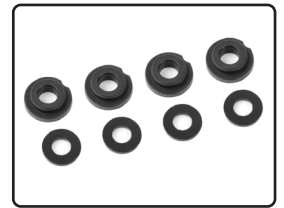
C-00180-134
Shock Body - Rear - Aluminium - Hard Anodised - 1 pc



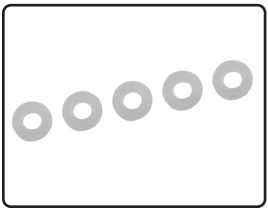
C-00180-135
Shock Body - Front - Aluminium - Hard Anodised - 1 pc



C-00180-191
O-Ring - Silicone - 9x12mm - 5 pcs



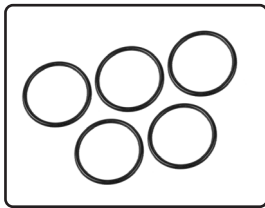
C-00180-078
Shock Body Insert - Washer - Composite - 1 set



C-00180-188
O-Ring - Silicone - 4x8mm - 5 pcs



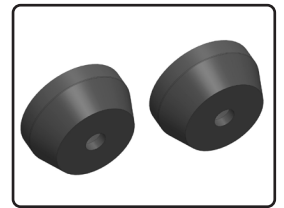
C-00180-138
Shock Cap - Lower - Composite - 2 pcs



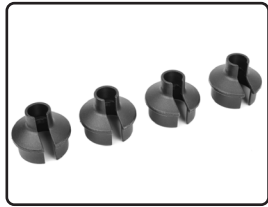
C-00180-192
O-Ring - Silicone - 16.2x19.8mm - 5 pcs



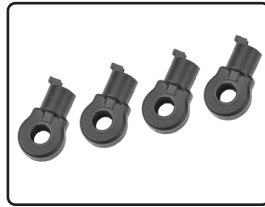
C-00180-136-B
Shock Collar - Aluminium - Hard Anodised - 2 pcs



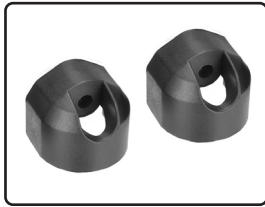
C-00180-1272
Shock Cap Lower Protector - Rubber - 2 pcs



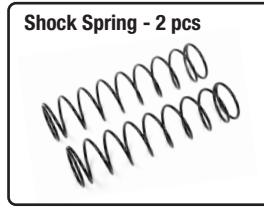
C-00180-029
Shock Spring Cup - Composite - 4 pcs



C-00180-770
HD Shock End - Short - Composite - 4 pcs



C-00180-658
Shock Cap Protector - Composite - 2 pcs



Shock Spring - 2 pcs

C-00180-289 • FRONT - SOFT
C-00180-290 • FRONT - MED
C-00180-291 • FRONT - HARD

C-00180-286 • REAR - SOFT
C-00180-287 • REAR - MED
C-00180-288 • REAR - HARD

OPTION PARTS - PIÈCES D'OPTION - OPTIONSTEILE - OPTIES (For more options, see www.corally.com)



C-52005
Ultra High Torque - High Voltage - Coreless Motor - Steel Gears



C-52001
High Speed Servo - High Voltage - Coreless Motor - Titanium Gear



C-00180-316
Shock Cap - Lower - Aluminium - 2 pcs



C-00180-410
Xtreme Diff Case - 30mm - FR / RE - Made in Italy - 1 pc



C-00180-411
Xtreme Diff Case - 35mm - CENTRE - Made in Italy - 1 pc



C-72714 • 14 Teeth
C-72715 • 15 Teeth
C-72716 • 16 Teeth



C-50535
Pro Battery Straps - 250x20mm - Silicone Anti-Slip Strings



C-00180-423
Shock Tower - RE - 5mm - Hard Anodised - Black - 1 pc



C-00180-424
Shock Tower - FR - 5mm - Hard Anodised - Black - 1 pc



SBX825

SETUP SHEET

DATE : _____ RACE : _____ NAME : _____

LOCATION : _____ LAPS : _____ BEST LAP TIME : _____ QUALIF. POSITION : _____ FINAL POSITION : _____

TRACK CONDITION

Type : Outdoor Semi-open Indoor
 Surface : Astro Clay Hard Track
 Flat Medium Bumpy
 Grip : Low Medium High

ELECTRONICS - TRANSMISSION

ESC : _____
 Motor : _____
 Pinion : _____
 Spur Gear : _____

BATTERY

Type : _____
 Capacity : _____
 Weight : _____
 Connect : _____

DIFFERENTIALS

Oil Grease
 Front : _____
 Centre : _____
 Rear : _____

TYRE

Foam FR : _____
 Tyre FR : _____
 Foam RE : _____
 Tyre RE : _____

FRONT SUSPENSION

Shock absorber

SPRING
 Type : _____
 Height : _____

CAP version
 Bladder
 Emulsion

_____ mm

Piston : _____

Oil : _____

_____ mm

Suspension Arm Cover FRONT
 Graphite
 Composite

Camber Angle
 LEFT (°) : _____
 RIGHT (°) : _____

Front Ride Height
 Chassis Front
 _____ mm

Front Toe-In
 Insert value : 0.5 1.0

FF
 FR

Front Roll Centre
 Graphite
 Aluminium

0.5 1.0

Steering Rack - Ackerman
 1
 2
 3
 4

Front Suspension
 Drive Shaft : CVD Universal

Shim _____ mm

Pivot Ball :
 Steel
 Aluminium

Anti-Roll Bar
 0 _____ mm
 _____ mm

REAR SUSPENSION

Shock absorber

SPRING
 Type : _____
 Height : _____

CAP version
 Bladder
 Emulsion

_____ mm

Piston : _____

Oil : _____

_____ mm

Suspension Arm Cover REAR
 Graphite
 Composite

Camber Angle
 LEFT (°) : _____
 RIGHT (°) : _____

Rear Ride Height
 Chassis Rear
 _____ mm

Rear Toe-In
 Insert value : 0.5 1.0

RF
 RR

Rear Shocktower
 Graphite
 Aluminium

Wing Mount
 UP
 DOWN

1
 2
 3

Wing Position
 UP
 DOWN
 FRONT ← REAR

Rear Suspension

3 2 1
 4 3 2 1

-1.5 -1 0 +1 +1.5

mm mm

mm

Anti-Roll Bar
 0 _____ mm
 _____ mm

Notes

Wing Position
 Wing Type : _____ Material : _____
 Wing Blade : Yes No

Open Closed Open Closed Open Closed

Chassis - Side Guard
 Aluminium
 Graphite
 Composite
 Lexan
 Graphite

Body
 Type : _____
 Thickness : _____ mm



WWW.CORALLY.COM

Team Corally is a registered trademark licensed to
JSP Group Intl bvba • Geelseweg 80 • B-2250 OLEN • Belgium
Tel: +32 14 25 92 94 • Info@corally.com